



RÔTISSERIE

# MINI-CONCEPT ROTI-ROASTER

**FBP8.520i2LS**

## ROTI-ROASTER MINI-CONCEPT

Mini rotisserie concept to save space, energy

**The mini rotisserie : Optimisation of a space with a self-service display**, 2 presentation levels in stainless steel inclined at 5°, with digital display and electronic temperature control, mounted on adjustable feet or casters with brakes.

**Topped by a programmable roaster convection Roti-Roaster** with baskets or chicken spits, electronic programming time and temperature with digital display and alarm after cooking cycle and then maintaining the temperature at 63 ° C with a program of pre-cooking, six cooking programs with security convex glass and double glass on service side.

## Digital Display with programming of cooking parameters (time and temperature)

Pre heat program

6 cooking program

Controls on front or back of the Roti-Roaster

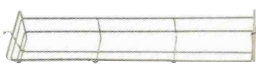







FBP8.520i2LS

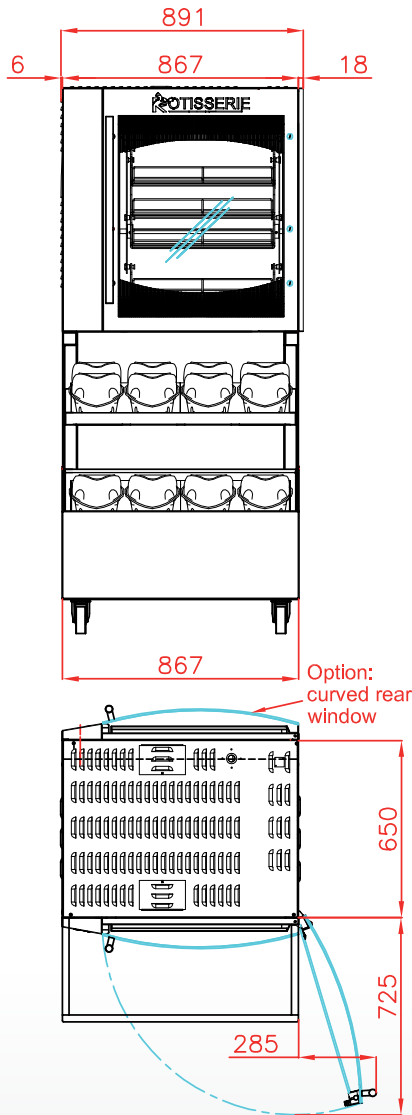


## ACCESSORIES

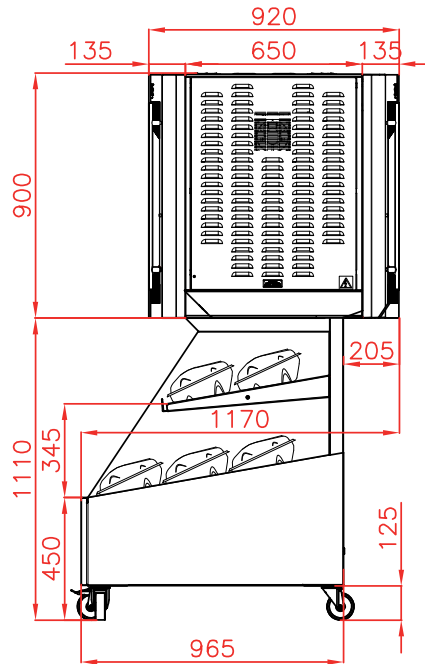
A variety of accessories are available for the unit. Video of available [accessories](#).

<p><b>BALD520</b> Chicken baskets standard.</p>		<p><b>BAP520</b> Small cuts baskets.</p>		<p><b>BAB520</b> Big pieces of meat spit.</p>	
<p><b>PD520</b> Stainless steel rack top.</p>		<p><b>BV520</b> Chicken spit.</p>		<p><b>TP8520</b> Protective roof.</p>	

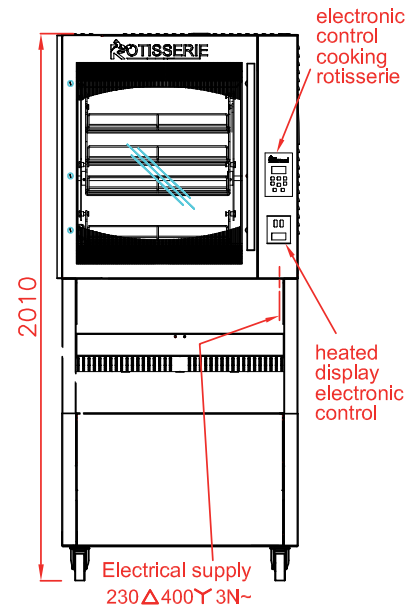
Front view  
Client side  
Top view



Side view



Rear view  
service side



FBP8.520i2LS



### SPECIFICATIONS

<b>Rotisserie Capacity</b>	24/32 poultries*
<b>Display Capacity</b>	20 poultries*
<b>Electricity</b>	230 V 3 phases + earth 7,6 kW
<b>Warranty</b>	1 year on parts (excluding glass doors)
<b>Weight</b>	245 kg without packing

\* depending on size

Revised : March 2016

DISTRIBUTOR / AGENT

**Rotisol S.A.S.**

Zone industrielle La Trentaine, Avenue Gustave Eiffel

77507 Chelles cedex - FRANCE

[s.bennell@rotisol.com](mailto:s.bennell@rotisol.com) - Tel : +33 1 64 21 80 00

[www.rotisol.com](http://www.rotisol.com)