



RÔTISSERIE

MINI-CONCEPT ROTI-ROASTER

FBP5.520i2LS

ROTI-ROASTER MINI-CONCEPT

Mini rotisserie concept to save space, energy

The mini rotisserie : Optimisation of a space with a self-service display, 2 presentation levels in stainless steel inclined at 5°, with digital display and electronic temperature control, mounted on adjustable feet or casters with brakes.

Topped by a programmable roaster convection Roti-Roaster with baskets or chicken spits, electronic programming time and temperature with digital display and alarm after cooking cycle and then maintaining the temperature at 63 ° C with a program of pre-cooking, six cooking programs with security convex glass and double glass on service side.

Digital Display with programming of cooking parameters (time and temperature)

- Pre heat program
- 6 cooking program
- Controls on front or back of the Roti-Roaster






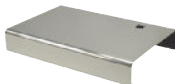


FBP5-520i2LS

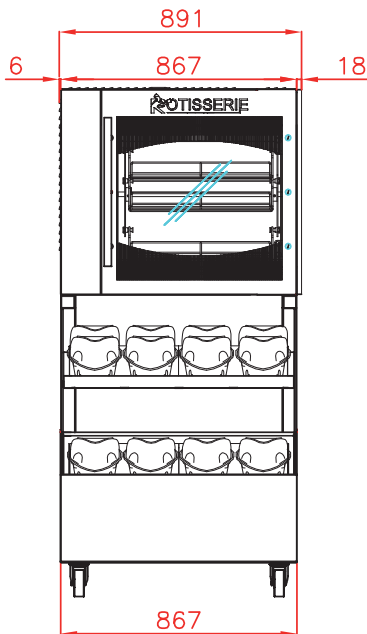


ACCESSORIES

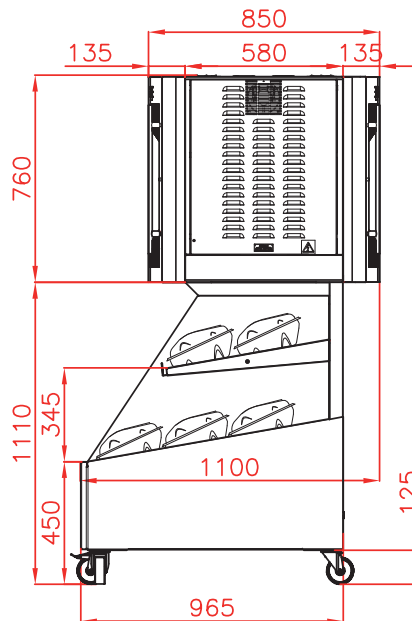
A variety of accessories are available for the unit. Video of available [accessories](#).

<p>BALD520 Chicken baskets standard.</p>		<p>BAP520 Small cuts baskets.</p>		<p>BAB520 Big pieces of meat spit.</p>	
<p>PD520 Stainless steel rack top.</p>		<p>BV520 Chicken spit.</p>		<p>TP520 Protective roof.</p>	

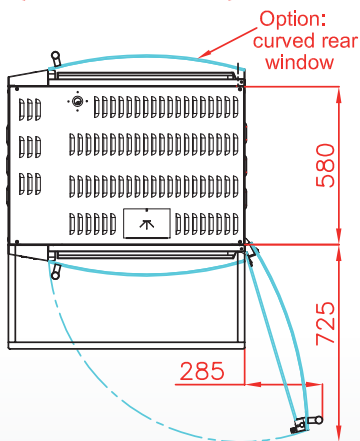
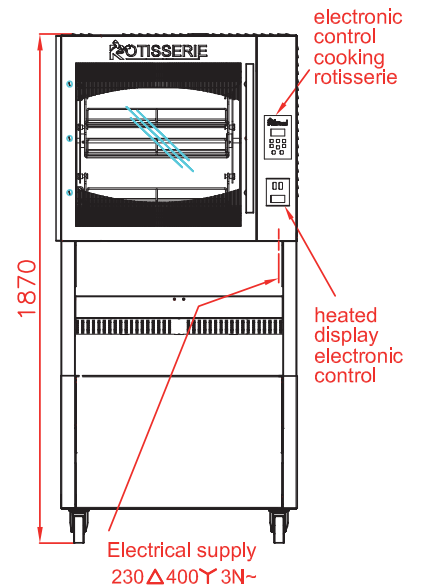
Front view
Client side
Top view



Side view



Rear view
service side



FBP5.520i2LS



SPECIFICATIONS

Rotisserie Capacity	15/20 poultries*
Display Capacity	20 poultries*
Electricity	230 V 3 phases + earth ; 6,1 kW
Warranty	1 year on parts (excluding glass doors)
Weight	220 kg without packing

* depending on size

Revised : March 2017

DISTRIBUTOR / AGENT

Rotisol S.A.S.

Zone industrielle La Trentaine, Avenue Gustave Eiffel

77507 Chelles cedex - FRANCE

s.bennell@rotisol.com - Tel : +33 1 64 21 80 00

www.rotisol.com