

Horizontal Grill
mod GHPI **3F/1700**

Dimensions:

1703mm (w) x 912mm (h) x 683mm (p)

Grilling Area: 1496mm x 478mm

Weight: 255 kg

Thermal Flow: 48 kw

Type: A

Category: II_{2H3+}

Voltage: 230V

Electric Power: 44 w

Butane gas

Pressure - 28-30 mbar

Consumption - 3,8 kg/h

Propane gas

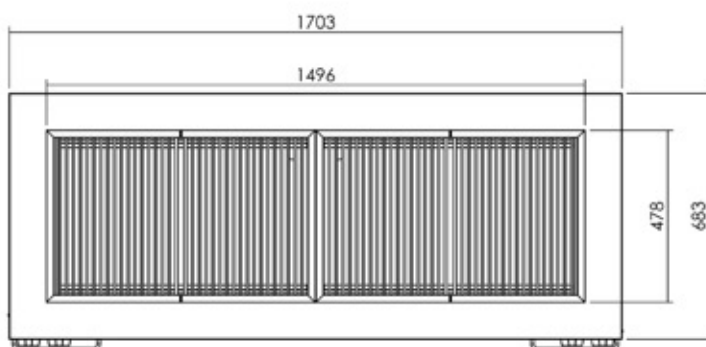
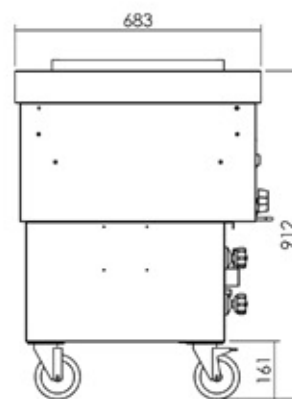
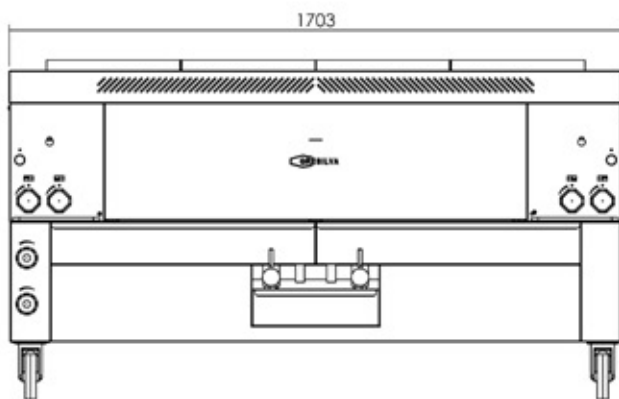
Pressure - 37 mbar

Consumption - 3,8 kg/h

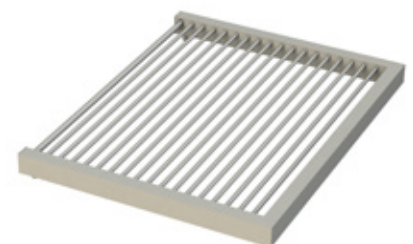
Natural gas

Pressure - 20 mbar

Consumption - 5,2 m³/h



scraper



GRE.H2.G50
half fixed grid

