

Vertical grill mod **GV2**

Dimension:

27,5" (l) x 49,4" (p) x 60,7" (a)

Number of grates: 2

Capacity/chickens: 6

Weight: 330 lb

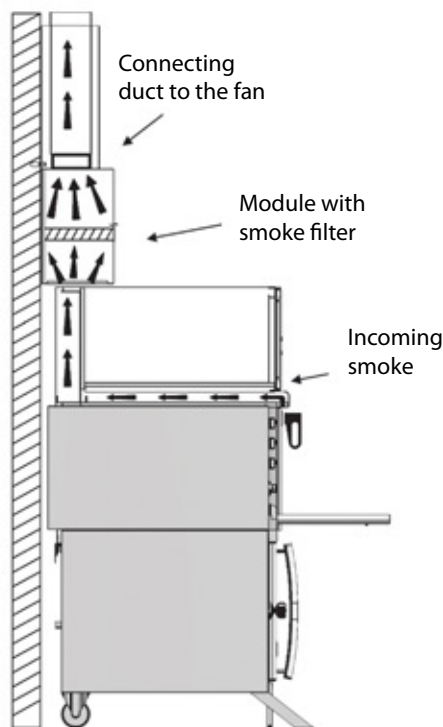
Rated power: 7,8 kw

Rated Voltage	Rated current		
208V/3N~	22A (L1)	22A (L2)	22A (L3)



GRE.CA.A50
Gutter

Grid	interior measurement
GRE.V1.J40 Grid XS	0,31" / 8mm
GRE.V1.J10 Grid S	0,75" / 19mm
GRE.V1.J30 Grid XL	1,22" / 31mm



GRE.V2.P10
Module with filter

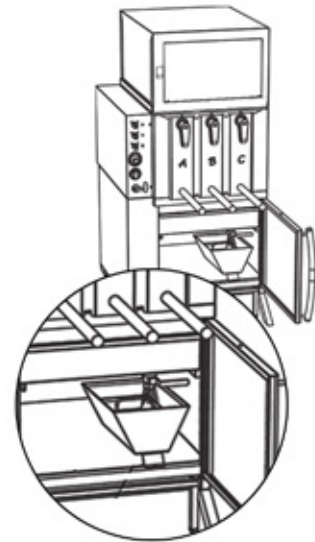
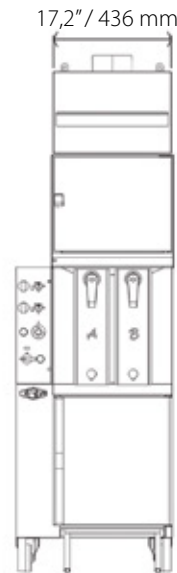
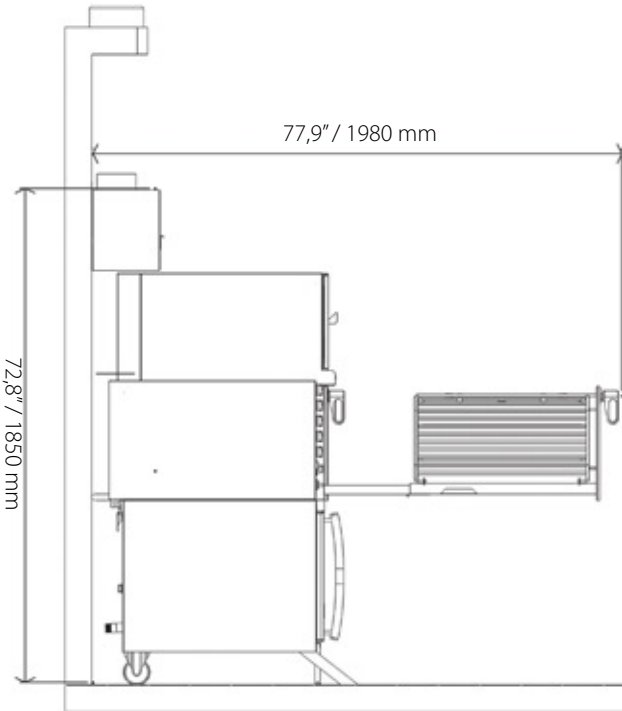
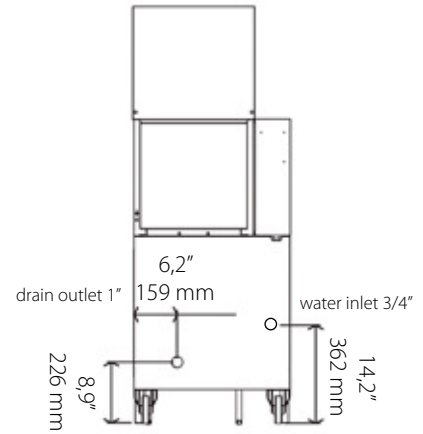
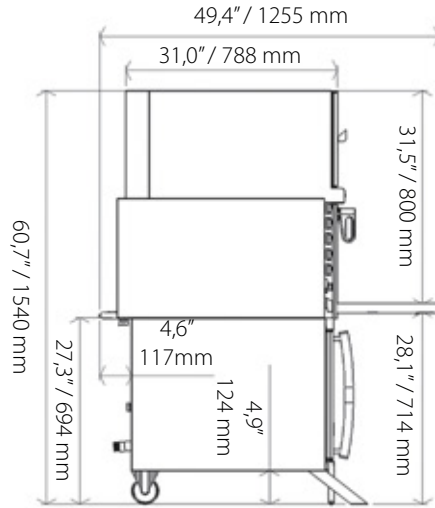


GRE.V2.P30
Conduct

Note: with connection device to the water inlet and the outlet to the grease box



Vertical grill mod **GV2**



A composite drainage system by a water collection container of the receiver drawer to be connected to the grease box