

TECHNICAL DATA

Weight:	177 kg
Grill Rack size:	530 x 570 mm
Capacity:	90 covers
Working temperature:	250 - 350 °C
Av. daily charcoal cons.:	5 - 8 kg
Power:	4,5 kW
Exhaust rate:	2.900 m ³ /h
Max. smoke flow:	7,2 g/s

STANDARD EQUIPMENT

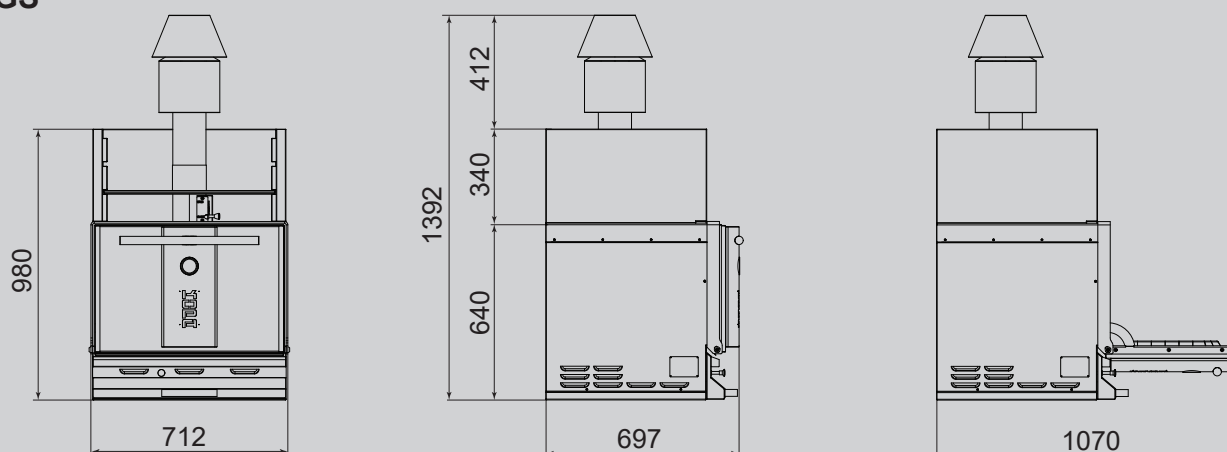
Firebreak
 Firebreak Hood
 Grill Rack 2x
 Kopa Tong
 Ash Drawer
 Hot cupboard with shelf

OPTIONAL EQUIPMENT

Additional Grill Rack
 Additional Thong
 Brush



TECHNICAL DRAWINGS



Available in these colors:



Red



Black



Brown



Shiny metal and gold*
 *surcharge