

TECHNICAL DATA

Weight:	124 kg
Grill Rack size:	30 x 570 mm
Capacity:	40 covers
Working temperature:	250 - 350 °C
Av. daily charcoal cons.:	5 - 8 kg
Power:	3 kW
Exhaust rate:	2.500 m ³ /h
Max. smoke flow:	4,9 g/s

STANDARD EQUIPMENT

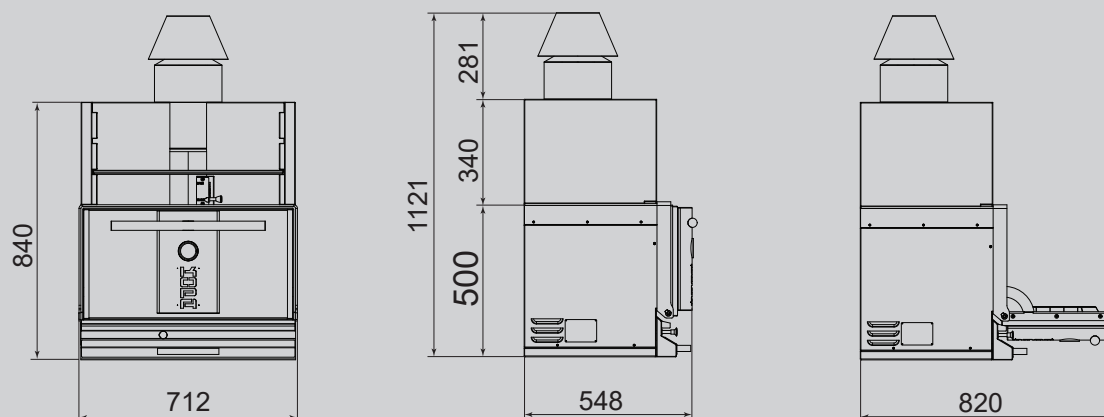
Firebreak
 Firebreak Hood
 Grill Rack
 Kopa Tong
 Ash Drawer
 Heating rack

OPTIONAL EQUIPMENT

Additional Grill Rack
 Additional Thong
 Brush



TECHNICAL DRAWINGS



Available in these colors:



Red



Black



Brown



Shiny metal and gold*
 *surcharge