

KLIMA AGING SYSTEM

Patented

Dry aging refrigerator

DATA SHEET 700

Length (mm): 710
Depth (mm): 850
Height (mm): 2115
Pallet size (mm): 780x920x2030

KAS700PV

Net weight (kg): 178
Packed unit weight (kg): 195

KAS700PC

Net weight (kg): 159
Packed unit weight (kg): 176

Litres capacity: 700 LT
Electrical power: 0,9 kW
Electrical connection: 230V - 50-60 Hz

Models:

- **KAS700PV** - 1 glass door
- **KAS700PC** - 1 inox door

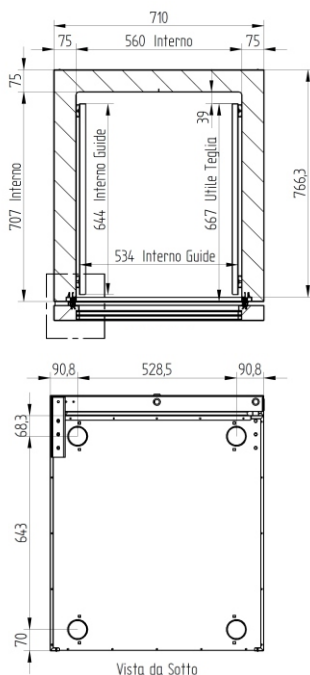
Accessories included depending on the specific kit chosen

- SALUMI KIT

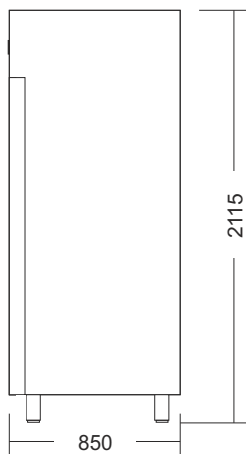
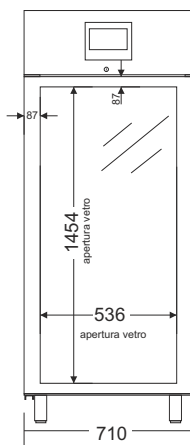
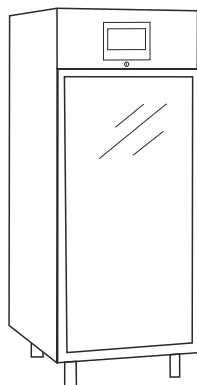
- 3 frames for hanging salami
- 3 stainless steel pairs of rails

- CHEESE KIT

- 4 stainless steel pairs of rails
- 4 evaporated wooden planks



KAS700PV



KAS700PC

