



UZZ eggshell crusher

Description

Capacity: 42 000 eggshells/hour

Replaces: n/a

Power supply: 1.1 kW 400 V 3/N/PE 50/60 Hz
1.1 kW 230 V 3/N/PE 50/60 Hz
1.1 kW 110 V 1/N/PE 50/60 Hz

Dimensions: 1119x541x896 mm

Minimal workspace: 1000x1500 mm

Compressed air: n/a

Weight: 60 kg

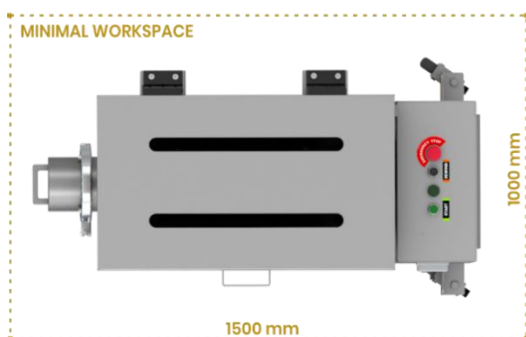
Water: n/a

Operated by: 1 person

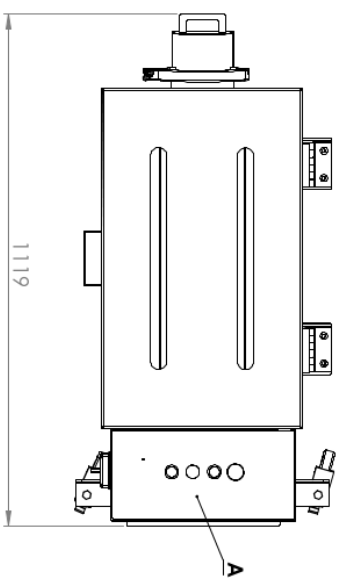
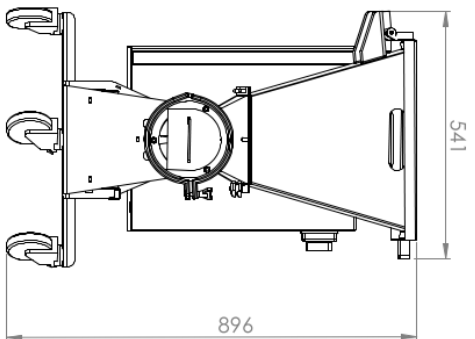
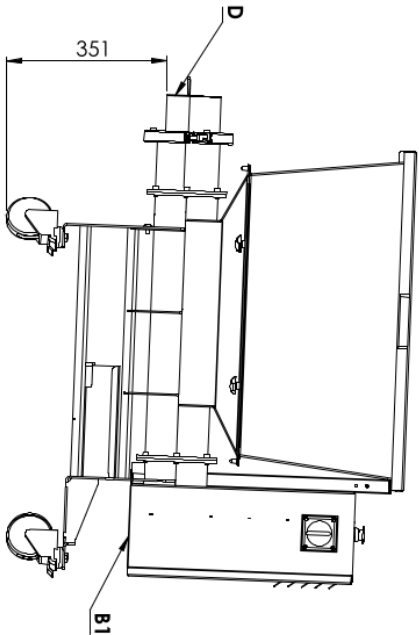
Drain: n/a

Compatibility: RZ-1/3/6/8

The machine reduces the volume of eggshells obtained during egg breaking by 95% by crushing them into small pieces. The machine is made out of stainless steel EN 1.4301 (AISI 304).



| | | | |
|---------|-----------------|--------|----|
| DATE | 04.01.2021 | AUTHOR | ML |
| PROJECT | DOK-LAY-ENP-1.1 | | |



UZS eggshell crusher

| | |
|-----------------------------------|---|
| Typical workplaces: | egg breaking facilities, bakeries, confectioneries, pasta making companies |
| Capacity: | 42 000 eggshells/hour |
| Power supply: | 1.1 kW/208 V 3N/PE 50/60 Hz 1.1 kW/230 V 3N/PE 50/60 Hz 1.1 kW/110 V 1N/PE 50/60 Hz |
| Water connection: | N/A |
| Compressed air connection: | N/A |
| Minimal workspace: | 1000 x 1500 mm |
| Dimensions: | 1119 x 541 x 896 |
| Operated by: | 1 person |
| Minimal wall clearance: | the rear side - 600 mm |
| Additional information: | N/A |
| A | control panel |
| B1/B2/B3 | connection: electric/water/air |
| D | eggshells outlet |
| F | liquid egg outlet |

OVO TECH

EGG PROCESSING MACHINES

All rights reserved
 The design and the drawing is the sole property of OVO-TECH. Any use of this product, including reproduction, is strictly prohibited without O's written permission & strictly prohibited.