



UVC-3 flood lamp

Description

Capacity: 9600 eggs/hour

Replaces: n/a

Power supply: 1.5 kW 400 V 3/N/PE 50/60 Hz
1.5 kW 230 V 3/N/PE 50/60 Hz

Dimensions: 2213x811x1604 mm

Minimal workspace: 1500x2500 mm

Compressed air: n/a

Weight: 230 kg

Water: n/a

Operated by: 1-2 persons

Drain: n/a

Compatibility: VEL-30, MT-3, RZ-3, UDTJ-150

The disinfectant emits UV-C light with the cumulative power of 475 Watts, which acts on the eggshells and disinfects them by killing 100% of bacteria, including Salmonella. The machine is made out of stainless steel EN 1.4301 (AISI 304).

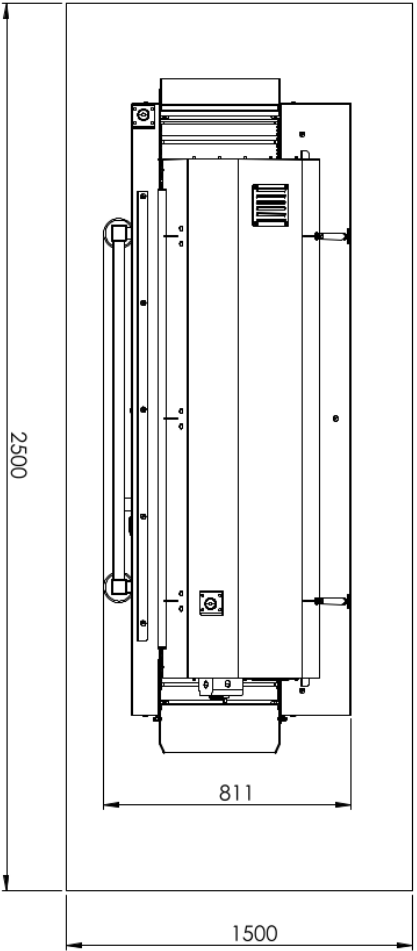
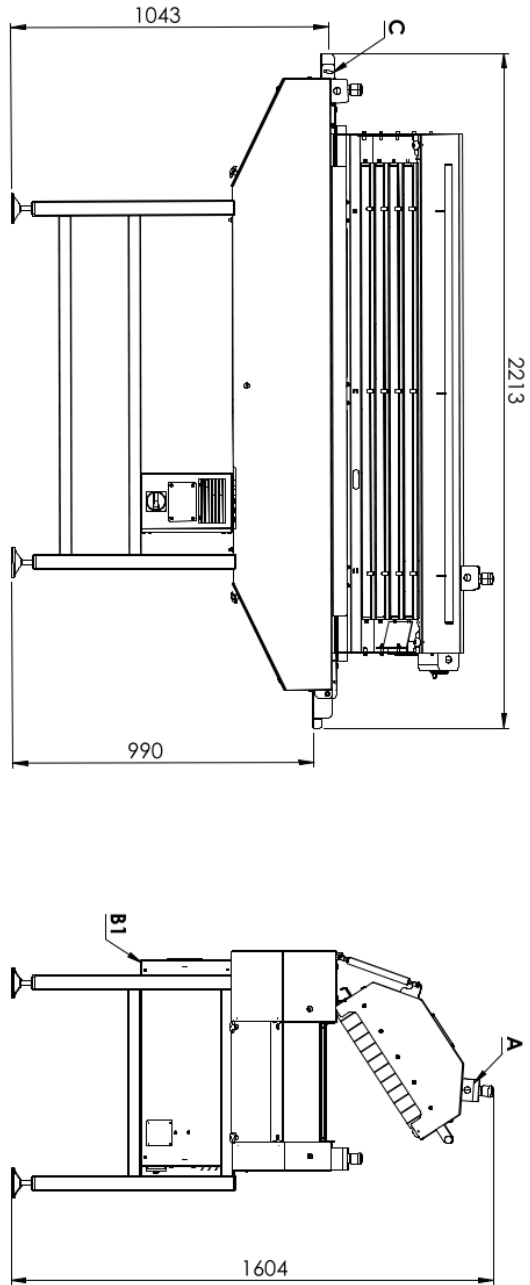


UVC-1 / UVC-3



UVC-6 / UVC-8





UVC-3 flood lamp

Typical workplaces:	egg breaking facilities, bakeries, confectioneries, pasta making companies
Capacity:	9000 eggs/hour
Power supply:	1.5 kW/400 V 3/N/PE 50/60 Hz 1.5 kW/230 V 3/N/PE 50/60 Hz
Water connection:	N/A
Compressed air connection:	N/A
Minimal workspace:	1500 x 2000 mm
Dimensions:	2213 x 811 x 1604 mm
Operated by:	1/2 persons
Minimal wall clearance:	the rear side - 600 mm
Additional information:	N/A
A	control panel
B1/B2/B3	connection: electrical/water/air
C	eggs input
E	eggs/whites outlet
F	egg yolks outlet
G	egg white outlet

OVO TECH

EGG PROCESSING MACHINES

All rights reserved. The design and the drawings are the sole property of OVO-TECH. Any use of this product, including reproduction, is strictly prohibited without O's written permission & strictly prohibited.