

RW 70

Automatic rice washing machine



GUARANTEED HYGIENE

RW 70 is the simple, effective rice washing machine: the rice placed in the washing drum rotates in the swirling currents created by the pumps. Washing intensity is adjustable, so it can be set as required for any type of rice. During washing, the swirling water currents detach any dust and dirt from the rice and convey them through the holes in the washing drum into the tank and on to the drain.

RW 70 washes not only all types of rice

but also seeds or grains such as spelt, corn, barley and buckwheat, and it is also excellent for washing and soaking beans, chickpeas and lentils. The process reduces microbial load and helps to eliminate oligosaccharides. The **RW 70** rice washing machine guarantees high hygiene standards because it reduces the bacterial load by over 90% in its short washing cycle. You can count on the **RW 70** for hygiene and water and labour saving.

Wilma

LA SCIENZA DELLE GRANDI CUCINE



RW 70

Automatic rice washing machine

TECHNICAL DATA	RW 70
Dimensions	1,880 x 1,260 x 1,040 mm
Rice load capacity per cycle	70 Kg
Tank capacity	626 litres
Washing time	3 - 5 minutes
Product discharge time	25 sec.
Electricity supply connection	3 ~ 230/400 V 50 Hz
Rated power	4.25 kW
Protection degree	IP 55
Appliance weight	267 kg

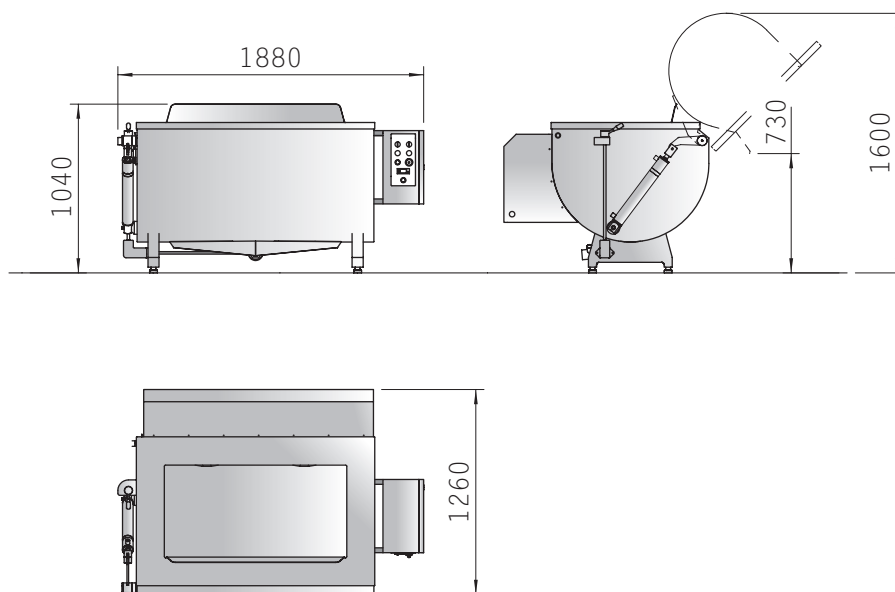
CONSTRUCTION FEATURES

- Constructed in AISI 304 stainless steel throughout.
- Polished washing drum with perforated side walls and bottom.
- Tank with fine satin finish and overflow device.
- Adjustable-height feet in anticorrosive alloy.
- Control panel in AISI 304 stainless steel.
- Hydraulic washing drum tilting system.
- Two washing flow outlets.
- Washing water swirl generated by two electric pumps.
- Water drain with two 2" ball valves.
- Water inlet with 1" solenoid valve.

FUNCTIONAL SPECIFICATIONS

- Electronic washing flow intensity regulator device.
- Electronic washing time programmer.
- Electronic water level control.
- Two-handed automatic rice discharge control.
- 24 V control panel.
- Appliance constructed to CE standards.

TECHNICAL DRAWINGS RW 70



APPLIANCE CONSTRUCTED TO HARMONISED STANDARDS AND COMPLETE WITH CE MARKING

Company with UNI EN ISO 9001 certified Quality Management System



Nilma
LA SCIENZA DELLE GRANDI CUCINE