



Roma Traditional Oven

RIF. COD. T

FEATURES

UM Ø 180X140

| | | |
|----------------------------------|-----|------------|
| Height of the cooktop | cm | 180x140 |
| Door width | cm | 54/68 / 82 |
| Total weight (standard finish) | Kg | 2200 |
| Pizza Capacity | nr. | 14-16 |
| Minimum flue dimensions: Ø 20 cm | | |

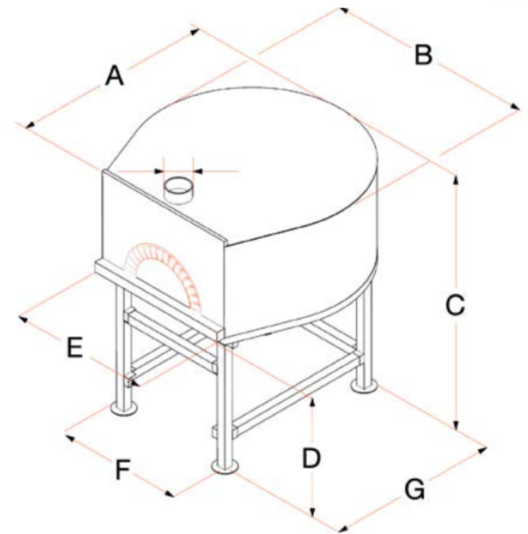
AVAILABLE SHAPES



DIMENSIONS

UM Ø 180X140

| | | |
|------------------------|----|-----|
| A - Depth | cm | 230 |
| B - Width | cm | 180 |
| C - Height | cm | 200 |
| D | cm | 120 |
| E | cm | 116 |
| F | cm | 115 |
| G | cm | 149 |
| Headband foot overhang | cm | 9 |



GAS DATA

UM Ø 180X140

| | | |
|----------------------|-------------------|----------|
| Thermal power | kW | 34 |
| LPG consumption | kg/h | 2,681 |
| Methane Consumption | m ³ /h | 3,598 |
| Flue gas temperature | °c | 200 |
| Draft | pascal | 12 pa |
| Gas connection | inches | 1/2 |
| Type of construction | | A1-B11BS |
| Energy Consumption | W | 100 |

CAPACITY



Ø 180x140