



Roma Traditional Oven

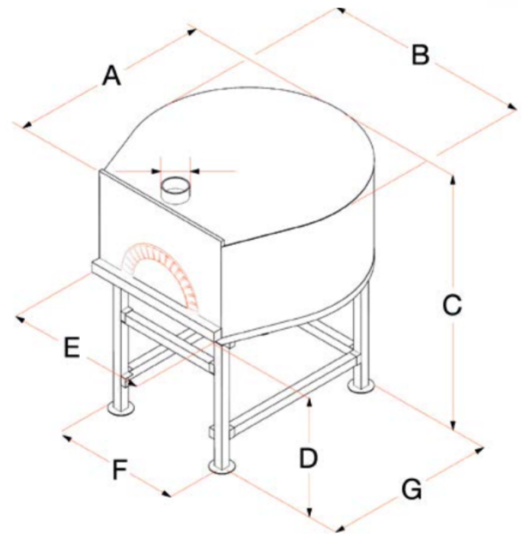
RIF. COD. T

FEATURES	UM	Ø 140
Height of the cooktop	cm	140
Door width	cm	54/68/82
Total weight (standard finish)	Kg	1800
Pizza Capacity	nr.	10-12
Minimum flue dimensions: Ø 20 cm		

DIMENSIONS	UM	Ø 140
A - Depth	cm	185
B - Width	cm	180
C - Height	cm	200
D	cm	120
E	cm	116
F	cm	109
G	cm	129
Headband foot overhang	cm	18

GAS DATA	UM	Ø 140
Thermal power	kW	34
LPG consumption	kg/h	2,681
Methane Consumption	m ³ /h	3,598
Flue gas temperature	°c	200
Draft	pascal	12 pa
Gas connection	inches	1/2
Type of construction		Al-BIIBS
Energy Consumption	W	100

AVAILABLE SHAPES



CAPACITY



Ø 140