



# Roma Traditional Oven

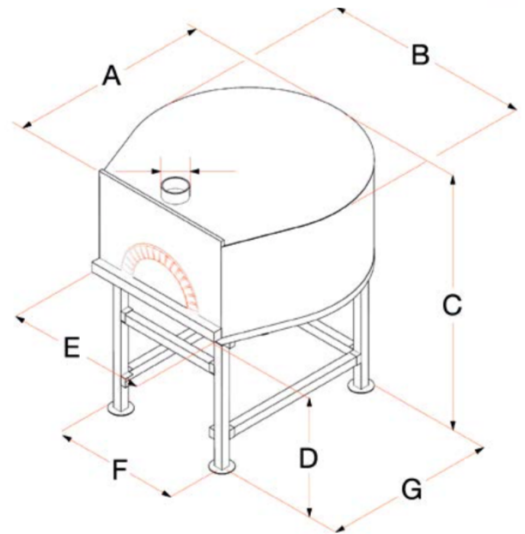
RIF. COD. T

FEATURES	UM	Ø 110
Height of the cooktop	cm	110
Door width	cm	54
Total weight (standard finish)	Kg	1600
Pizza Capacity	nr.	5-6
Minimum flue dimensions: Ø 20 cm		

DIMENSIONS	UM	Ø 110
A - Depth	cm	155
B - Width	cm	150
C - Height	cm	200
D	cm	120
E	cm	110
F	cm	98
G	cm	105
Headband foot overhang	cm	5

GAS DATA	UM	Ø 110
Thermal power	kW	34
LPG consumption	kg/h	2,681
Methane Consumption	m <sup>3</sup> /h	3,598
Flue gas temperature	°c	200
Draft	pascal	12 pa
Gas connection	inches	1/2
Type of construction		Al-BIIBS
Energy Consumption	W	100

## AVAILABLE SHAPES



## CAPACITY



Ø 110