



PS-UDTJ pump system

Description

Capacity: 3000 liters/hour

Replaces: n/a

Power supply: 1 kW 400 V 3/N/PE 50/60 Hz
1 kW 230 V 3/N/PE 50/60 Hz

Dimensions: 929x659x830 mm

Minimal workspace: 1200x1500 mm

Weight: 70 kg

Compressed air: n/a

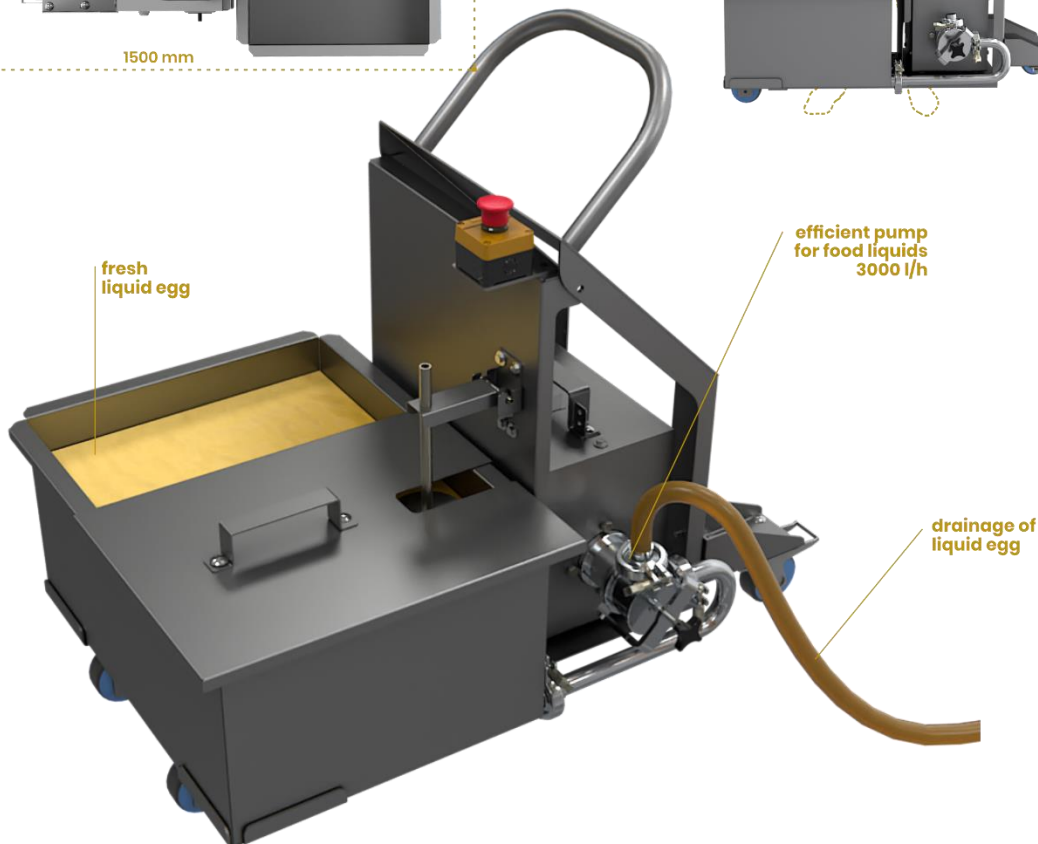
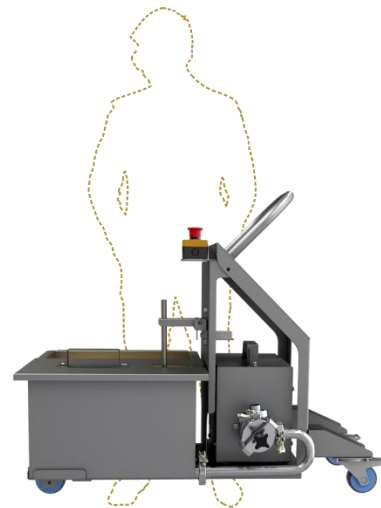
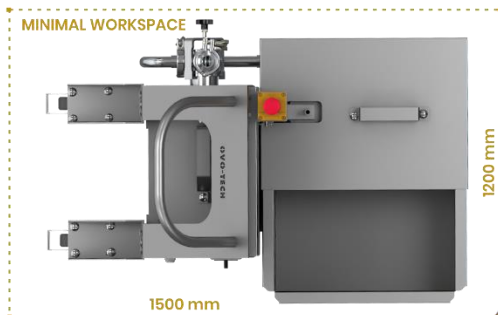
Water: n/a

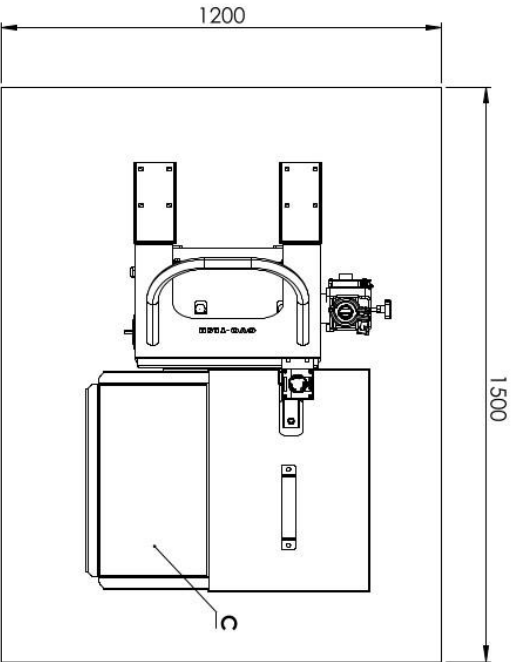
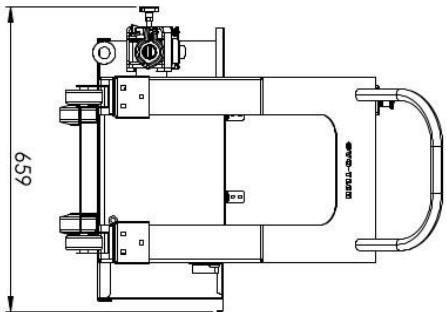
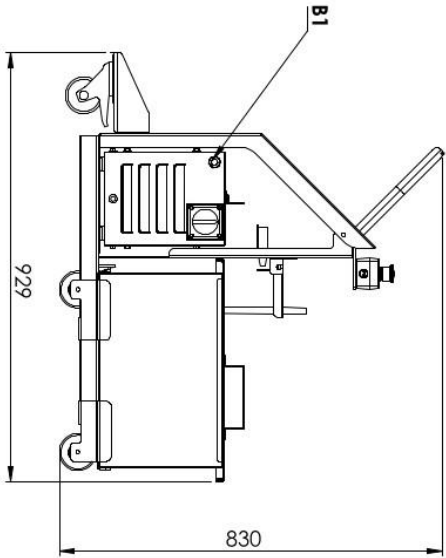
Operated by: 1 person

Drain: n/a

Compatibility: UDTJ-10/150, FS

The PS-UDTJ pumping system buffers egg liquid in its tanks. Once the liquid reaches acceptable level, the machine initiates pumping of the egg liquid into the FS wedge wire filter or a storage container. The machine is made out of stainless steel EN 1.4301 (AISI 304).





PS-UDTJ pump system

Typical workplaces:	egg breaking facilities, bakeries, confectioneries, pasta making companies
Capacity:	3000 liters/hour
Power supply:	1 kW 400V 3~/N/PE 50/60 Hz 1 kW 230V 3~/N/PE 50/60 Hz
Water connection:	N/A
Compressed air connection:	N/A
Minimum workspace:	1200 x 1500 mm
Dimensions:	929 x 659 x 830
Operated by:	1 person
Minimal wall clearance:	the rear side – 600 mm
Additional information:	External control panel
A	control panel
B1/B2/B3	eggs input
C	eggs/whisk outlet
D	liquid eggs outlet
E	egg yolk outlet
F	egg yolk outlet
G	egg white outlet



EGG PROCESSING MACHINES
 All rights reserved.
 Information presented in this drawing is for informational purposes only. Any use of this material, including reproduction of parts or in whole, without the permission of OVO is prohibited.