

# MS/4 INOX

Automatic moulding machine for meatballs and hamburgers



## HAMBURGERS AND MEATBALLS IN PERFECT SHAPE

Preparing hundreds of hamburgers and meatballs requires a lot of labour and the results could easily be unsatisfactory. Moulding and weight must be accurate and all operations must be carried out with the maximum hygiene levels and without handling.

This is now possible with **MS/4**, the latest moulding machine entirely made of stainless steel designed by NILMA which is capable of:

- moulding even, compact and homogeneous hamburgers and meatballs
- guaranteeing that each piece corresponds exactly to the desired weight
- enhancing the perfect presentation of the product

- obtaining high production levels with just one operator
- assuring the maximum product hygiene by eliminating any handling

The two interchangeable discs of **MS/4** can mould meatballs with a diameter of 40 mm or hamburgers with a diameter of 90 mm, both with an adjustable thickness of up to 22 mm.

**MS/4** is automatic: after loading the minced meat into the bowl and setting the required thickness, **MS/4** will quickly mould 1,500 hamburgers or 3,000 meatballs per hour! Less hassle and much more time to be dedicated to other tasks.

# Nilma

LA SCIENZA DELLE GRANDI CUCINE



# MS/4 INOX

## Automatic moulding machine for meatballs and hamburgers

### FEATURES

- Entirely made of stainless steel
- Moulding disc and pistons made of food-grade plastic
- Thickness-adjusting device
- 24V start/stop button
- Mixing paddles, loading bowl and moulding disc removable for cleaning
- Safety micro-switch on the loading bowl lid
- Electric cable
- IP55

### TECHNICAL ASPECTS

Electric connection	3/N – 400/230 V 50 Hz + T
Electrical power	0.25 kW
Loading bowl capacity	12 litres

Machine net weight	51 kg
Type of moulding disc	3 holes (Ø: 90 mm)
Adjustable weight	60 to 140 g
Maximum thickness	22 mm
Capacity	1,500 pieces/hour

Type of moulding disc	6 holes (Ø: 40 mm)
Adjustable weight	10 to 30 g
Maximum thickness	22 mm
Capacity	3,000 pieces/hour

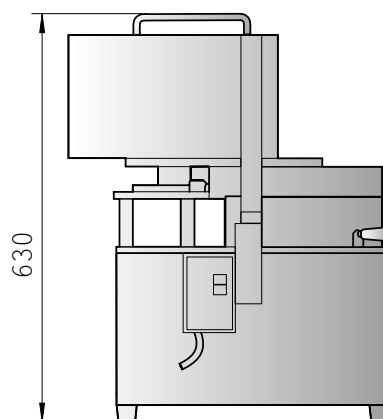
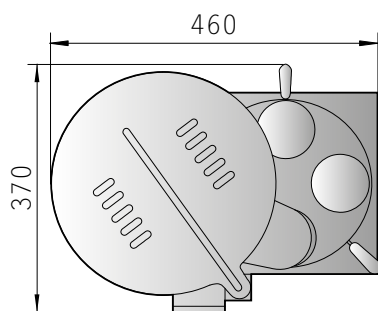
### ACCESSORIES

- 3-hole moulding disc (holes diameter: 90 mm) included in the machine
- 6-hole moulding disc (holes diameter: 40 mm) available on demand



### TECHNICAL DIAGRAMS

#### MS/4 INOX



APPLIANCE CONSTRUCTED TO  
HARMONISED STANDARDS AND  
COMPLETE WITH CE MARKING

Company with UNI ENI ISO 9001 certified  
Quality System