

Napoli 1 Door Rotating

RIF. COD. NI

td class="dim dim-90">Gas

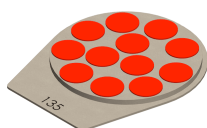
| FEATURES | UM | Ø 135 |
|--------------------------------|-----|------------|
| Height of the cooktop | cm | 105/120 |
| Door width | cm | 54/68 / 82 |
| Power consumption | Kw | 0,36 |
| Total weight (standard finish) | Kg | 2000 |
| Pizza capacity | nr. | 10-12 |
| Supply | | Wood-Gas |
| Under-floor burner | | o |

Minimum flue dimensions: Ø 20 cm

| DIMENSIONS | UM | Ø 135 |
|------------|----|---------|
| A - Depth | cm | 220 |
| B - Width | cm | 200 |
| C - Height | cm | 200-220 |
| D | cm | 105-120 |
| F | cm | 116 |
| G | cm | 149 |

| GAS DATA | UM | Ø 135 |
|----------------------|-------------------|----------|
| Thermal power | kW | 34 |
| LPG consumption | kg/h | 2,681 |
| Methane Consumption | m ³ /h | 3,598 |
| Flue gas temperature | °c | 200 |
| Draft | pascal | 12 pa |
| Gas connection | inches | 1/2 |
| Type of construction | | A1-B1IBS |
| Energy Consumption | W | 370 |

CAPACITY

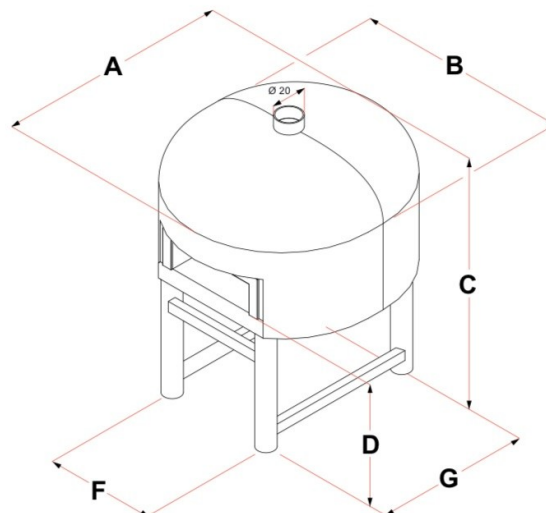


Ø 135

AVAILABLE SHAPES



NAPOLI



WOOD DATA

| | | | |
|--|--|--|--|
| M.A.M snc - Via C.Angiolieri, 28/34 - 41123 Modena (Italy) Tel. +39.059.330219 / +39.059.330189 - Fax +39.059.334521 www.mamforni.it - mam@mamforni.it | | MADE IN ITALY | |
| 1935/2004 - 2001/95/CE Forno a legna prefabbricato - Prefabricated wood-burning oven Vorgefertigter Steinofen | | | |
| Distanza minima del materiale combustibile - Minimum distance from the combustible material - Mindestdistanz des Brennmaterials | | Contatto Contact Kontakt | |
| Emissione di CO prodotta in combustione - CO emission produced during combustion Ausstrahlung von in der Verbrennung produziertem CO | | 0,48% | |
| Temperatura del fumo di combustione - Combustion fume temperature - Temperatur des Brennruches | | 305° C | |
| Uscita termica utile (riscaldamento) - Thermic outlet used (heating) - Nützlicher Wärmeaustritt (Heizung) | | 11,5 Kw | |
| Efficienza dell'energia - Energy efficiency - Leistungsfähigkeit der Energie | | 66,7% | |
| Tipo di combustibile - Fuel typer - Brennstofftyp | | Legno in pezzi Wood logs Holz in stücke | |
| CO** (mg/Nm ³) 5848 | | Polveri** - Powders** - Puder** (mg/Nm ³) 248 | |
| <small> Leggere e seguire le istruzioni del manuale d'uso - Follow the manual instruction - Gebrauchsanweisungen im Handbuch lesen und befolgen non utilizzare l'apparecchio su canna fumaria multipla - Don't use the equipment on multiple flue - Das Gerät nicht mit vielfältigem Rauchfang gebrauchen Usare solo combustibili raccomandati - Use only recommended fuels - Nur empfohlenen Brennstoff gebrauchen L'apparecchio è idoneo alla combustione intermittente - The equipment is suitable for discontinuous combustion - Des Gerät ist für intermittierende Verbrennung geeignet </small> | | | |

** valori corretti al 10% di O₂