
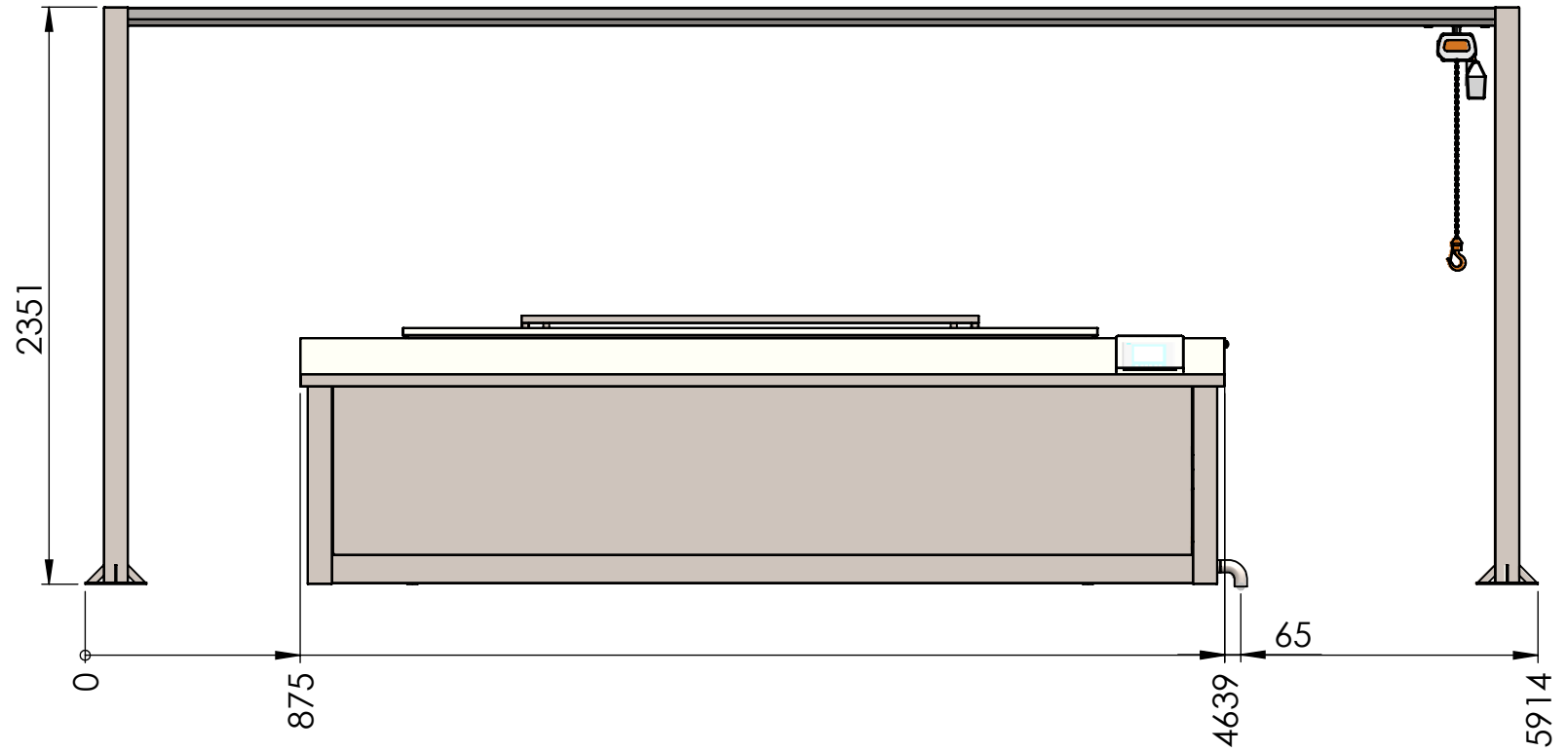
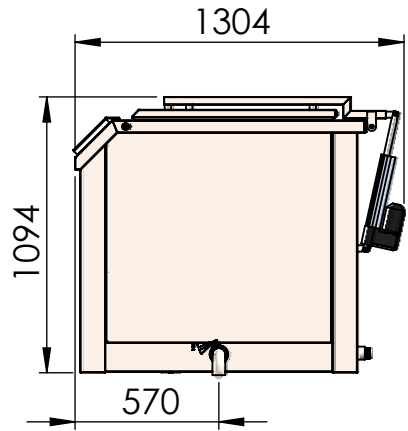
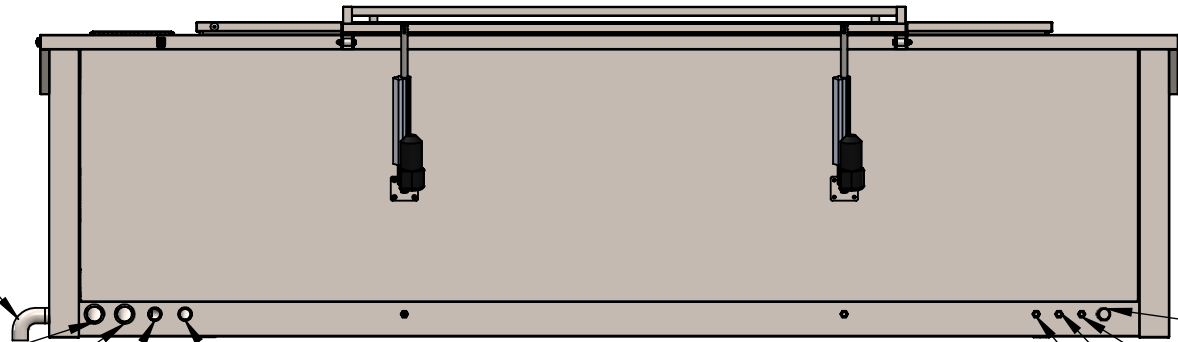
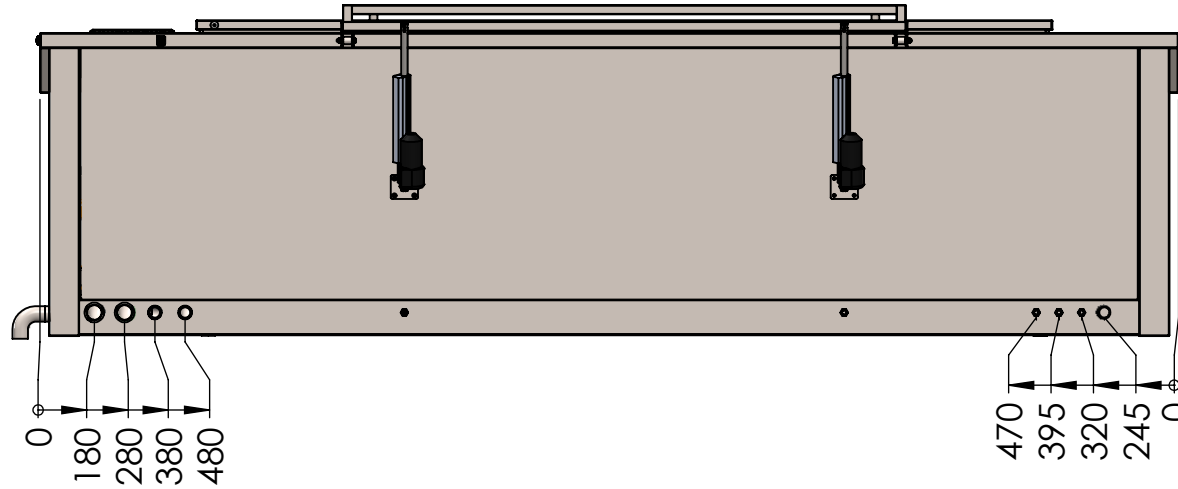


The Chiller is placed external from the kitchen.

 <p>Industrialvej 32   3700 Thisted   Denmark   T: +45 9992 0644</p>		DESCRIPTION:		55450 Sous-Vide			
		PART NO.					
WEIGHT: kilograms.	MATERIAL:	CLIENT:	DRAWN BY:	DRAWN DATE:	SHEET 1 OF 3	A4	SCALE:1:30



 <p>Industrialvej 32   3700 Thisted   Denmark   T: +45 9992 0644</p>		DESCRIPTION: 55450 Sous-Vide					
		PART NO.					
WEIGHT: kilograms.	MATERIAL:	CLIENT:	DRAWN BY:	DRAWN DATE:	SHEET 2 OF 3	A4	SCALE:1:30



Tube dia. 51mm. to drain,  
Dia. 100mm.

Glycol in:  
2" male thread.

Glycol out:  
2" male thread.

Cold water in:  
5/4" male thread. 3bar.


Hot water in:  
5/4" male thread. 3bar.

Power connection:  
72kW. 140amp.

Internet to pc:  
(DHCP CAT6 STP cable)

Ethernet to pc:  
(DHCP CAT6 STP cable)

Signal cable to Chiller.

 <p>Industrialvej 32   3700 Thisted   Denmark   T: +45 9992 0644</p>		DESCRIPTION:		55450 Sous-Vide			
		PART NO.					
WEIGHT: kilograms.	MATERIAL:	CLIENT:	DRAWN BY:	DRAWN DATE:	SHEET 3 OF 3	A4	SCALE:1:25