

The Chiller is placed external from the kitchen.



DESCRIPTION: 55300 Sous-Vide

PART NO.

WEIGHT: kilograms.

MATERIAL:

CLIENT:

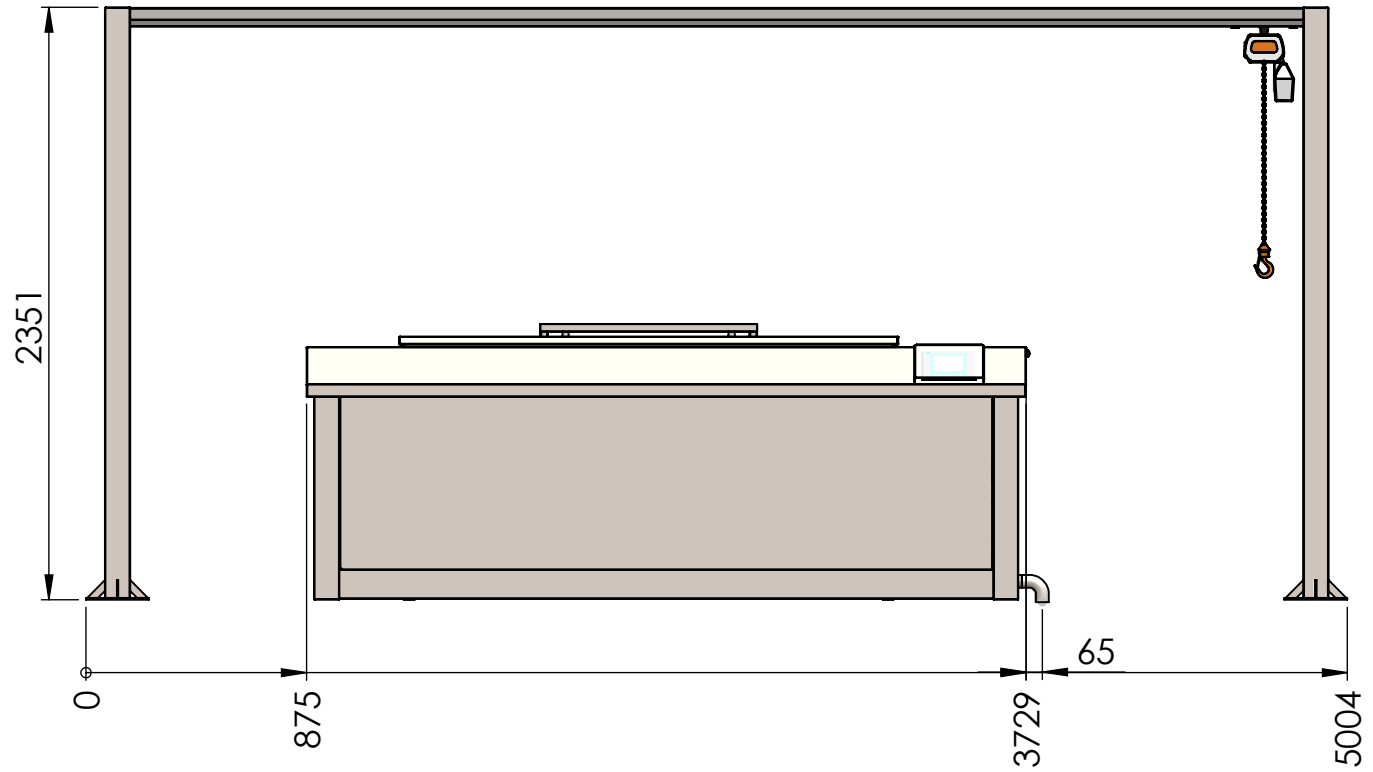
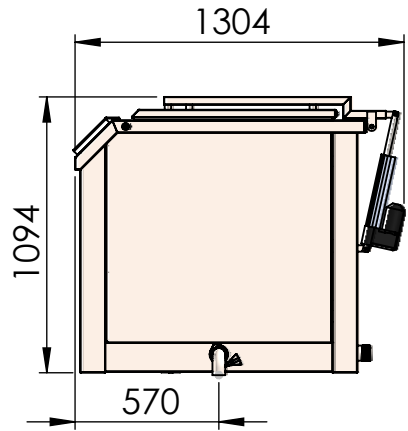
DRAWN BY:

DRAWN DATE:

SHEET 1 OF 3

A4

SCALE:1:30



DESCRIPTION:

55300 Sous-Vide

PART NO.

WEIGHT: kilograms.

MATERIAL:

CLIENT:

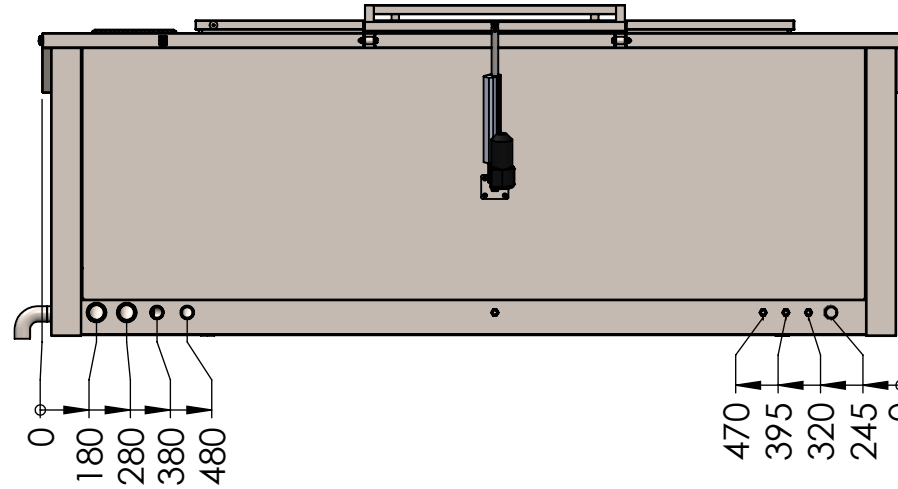
DRAWN BY:

DRAWN DATE:

SHEET 2 OF 3

A4

SCALE:1:30



Tube dia. 51mm. to drain,
Dia. 100mm.

Glycol in:
2" male thread.

Glycol out:
2" male thread.

Cold water in:
5/4" male thread. 3bar.

Hot water in:
5/4" male thread. 3bar.

Power connection:
58kW. 116amp.

Internet to pc:
(DHCP CAT6 STP cable)

Ethernet to pc:
(DHCP CAT6 STP cable)

Signal cable to Chiller.



DESCRIPTION:

55300 Sous-Vide

PART NO.

WEIGHT: kilograms.

MATERIAL:

CLIENT:

DRAWN BY:

DRAWN DATE:

SHEET 3 OF 3

A4

SCALE:1:25