

The Chiller is placed external from the kitchen.



Industrialvej 32 | 3700 Thisted | Denmark | T: +45 9792 0644

DESCRIPTION: 55250 Sous-Vide

PART NO.:

WEIGHT: kilograms.

MATERIAL:

CLIENT:

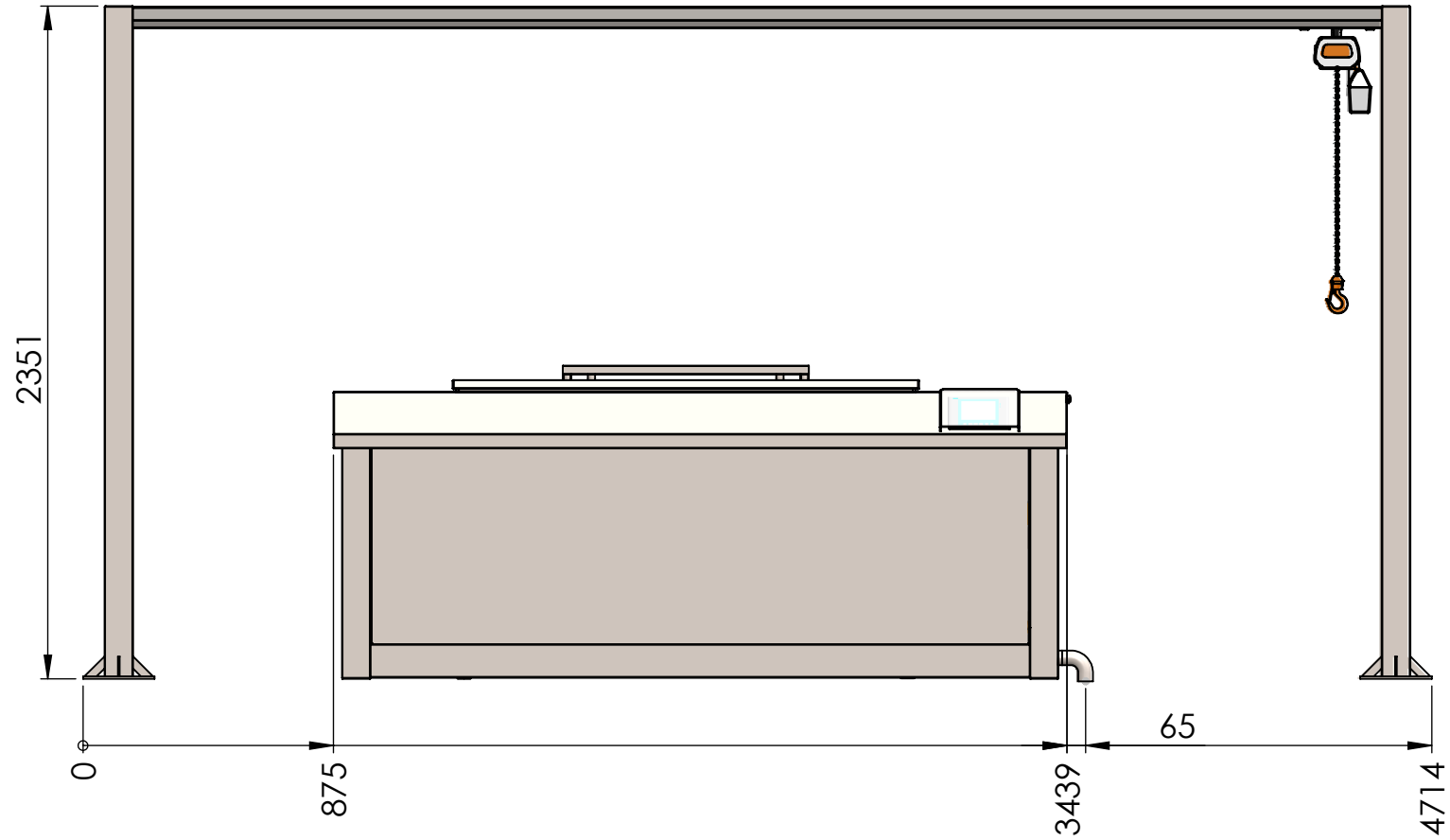
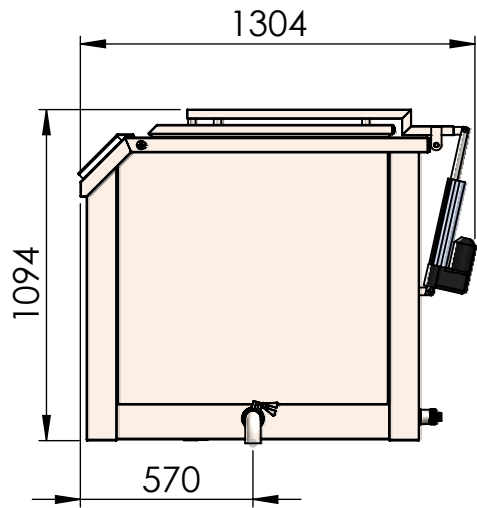
DRAWN BY:

DRAWN DATE:

SHEET 1 OF 3

A4

SCALE:1:25



DESCRIPTION:

55250 Sous-Vide

PART NO.

WEIGHT: kilograms.

MATERIAL:

CLIENT:

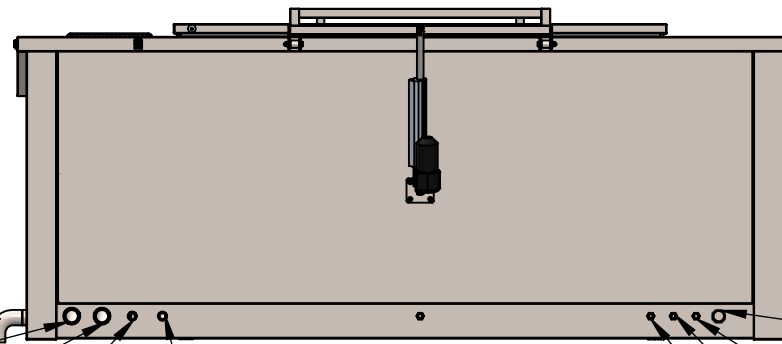
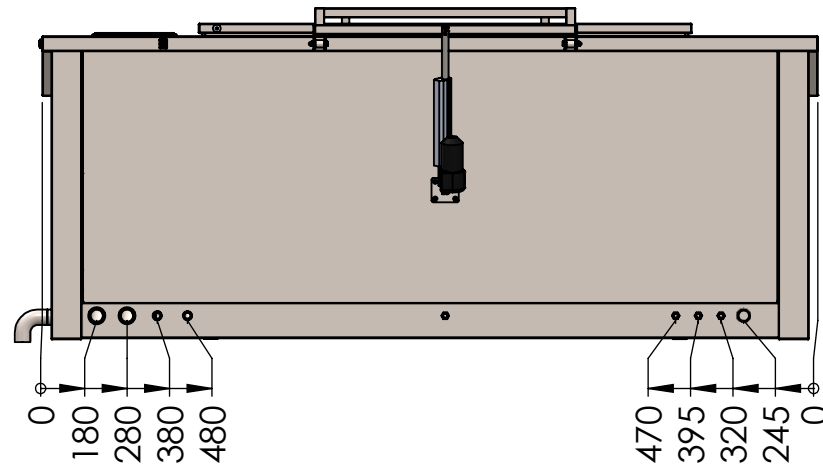
DRAWN BY:

DRAWN DATE:

SHEET 2 OF 3

A4

SCALE:1:25



Tube dia. 51mm. to drain,  
Dia. 100mm.

Glycol in:  
1 1/2" male thread.

Glycol out:  
1 1/2" male thread.

Cold water in:  
3/4" male thread. 3bar.

Hot water in:  
3/4" male thread. 3bar.

Power connection:  
50kW. 100amp.

Internet to pc:  
(DHCP CAT6 STP cable)

Ethernet to pc:  
(DHCP CAT6 STP cable)

Signal cable to Chiller.



DESCRIPTION:

55250 Sous-Vide

PART NO.

WEIGHT: kilograms.

MATERIAL:

CLIENT:

DRAWN BY:

DRAWN DATE:

SHEET 3 OF 3

A4

SCALE:1:25