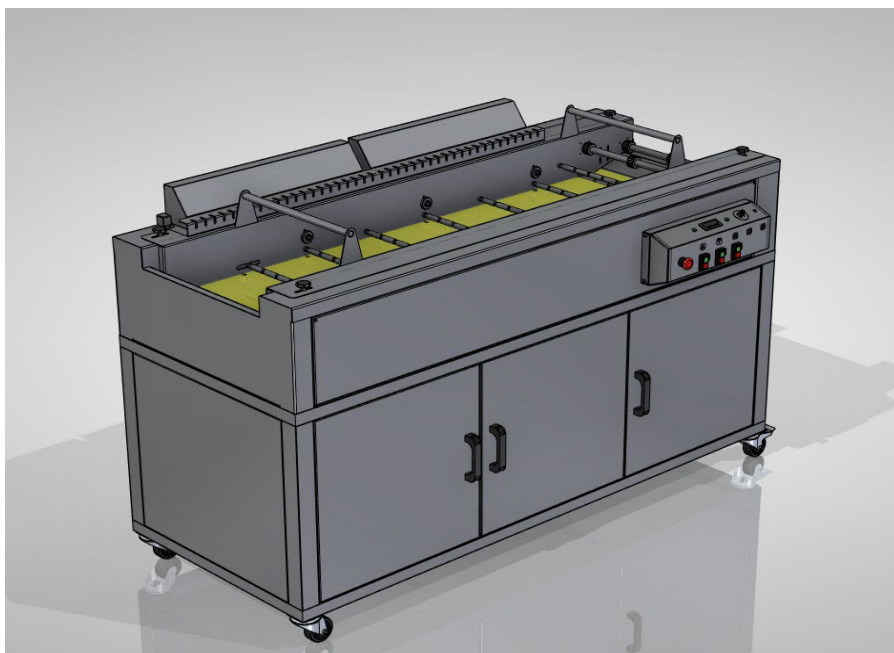


DATA SHEET

CONTINUOUS ELECTRIC FRYER

MODEL FEC250

Continuous electric fryer or frying train ideal for a large production automatically, having the minimum use of labor and with high productivity. This chain fryer is designed for pre-fried, fried potatoes, fried foods such as croquettes, marble foods, flamenquines, nuggests, cachopo, plate of ham and cheese,... ,pastry products in general such as: churro, fritter, doughnut, xuixo, donut, creme filled pastry... Nuts: peanut, almonds, cashews,... Even pasta cooking. Being very easy to clean and use, thaks to the oil circulation pump equipped with a filter, in which the used oil that is stored in the storage tank is automatically filtered and sent clean to the filter tank.



TECHNICAL CHARACTERISTICS:

- It incorporates a speed variator that allows the regulation of the cooking time of the product that is made, with the intention that it always has the ideal cooking time and adapted to an infinity of products.
- It allows a homogeneous frying or cooking, with less oil absorption at a lower cost thanks to the reuse and filtering of the oil. Thanks to this, the oil is more durable and of higher quality.
- Optional availability of including extraction hood in the fryer itself.
- Easy cleaning and disassembly.
- Oil filtering system by means of a re-circulating pump to the tank.
- Digital temperature control.
- Built in AISI304.

MODEL: FEC250

DIMENSIONS: WIDTH 953 mm. / HEIGHT 1255 mm. /LONG 5003mm.

POWER RESESTORS: 96 KW

CHAIN MOTOR POWER: 0,37 KW.

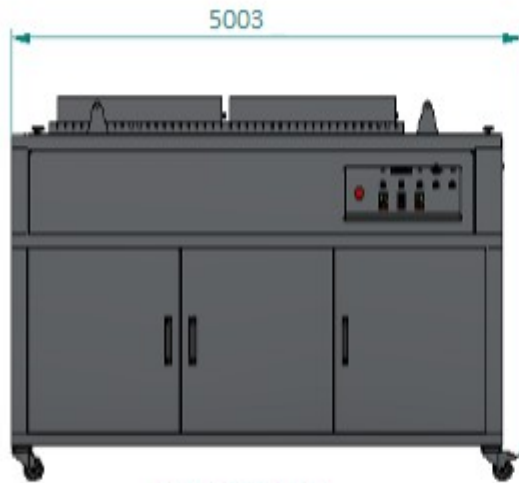
PUMP MOTOR POWER: 0,55 KW.

TOTAL POWER: 96 KW

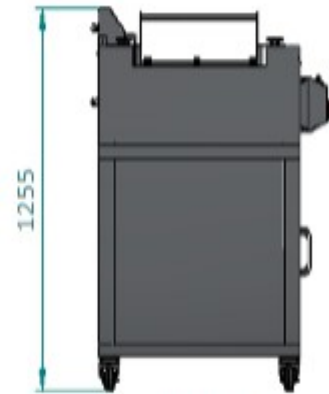
TENSION: 380 III V **FREQUENCY:** 50 HZ.

PRODUCTION: 180/1500 Kg/H.

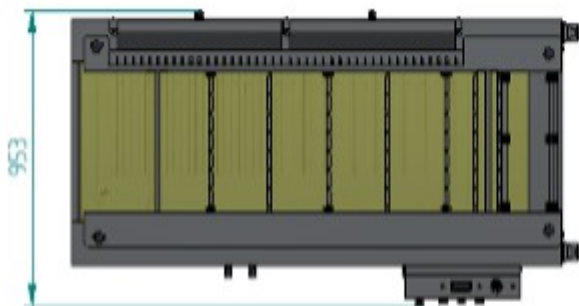
DIMENSIONS



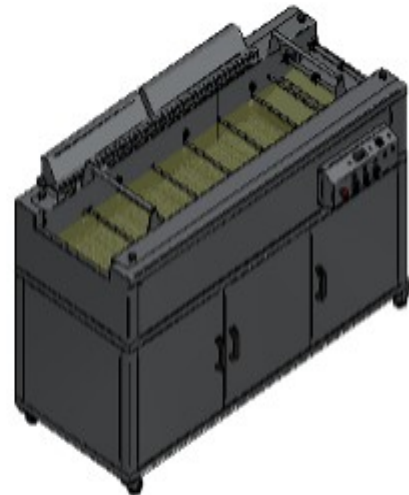
ELEVATED VIEW



SIDE VIEW



FLOOR VIEW



ISOMETRIC VIEW

APPROXIMATE WEIGHT. 1100 Kg.
ELECTRIC CONNECTION: 220/240 V, 50/60 GAS CONNECTION GLP G 30

The Company reserves the right to make technical moderications without notice.

www.inhospans.com

CONTAINER L X H: 4750 x 455mm.
CONTAINER DEPTH: 145mm.
MAXIMUM OIL CAPACITY. 250L.

V1,0 - 2021/02/03