



Special-Market Brasilia

DESIGN

The Brasilia rotisserie line is dedicated to the unique spatchcock style cooking method, roasting whole butterflied chickens flavored with any choice of marinades or seasonings.

Spatchcock roasting is a perfect fit for any kind of ethnic market (Hispanic, Middle Eastern, etc.), while doubling your production volume and decreasing your energy consumption by half.

FEATURES

- All stainless steel unit
- Front and back visibility and accessibility
- Independent infrared gas burners with interchangeable ceramic bricks
- 4 K-glass doors
- Bottom drip tray with drainage tap
- Interior halogen lighting

- 27 chickens in 30 minutes
- Reduced gas consumption 9 spits = 41000 (btu/h)
- Compact design with optimized dimensions (shallow depth: 535 mm)
- Quick return on investment



Brasilia
All stainless steel



TECHNICAL DETAILS

Overview of some of the standard features.

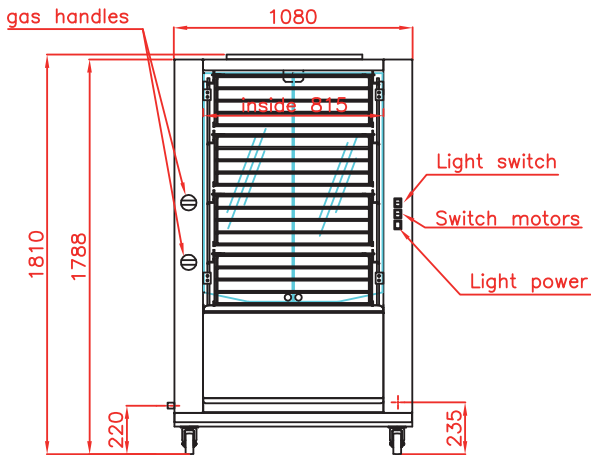
	<p>Replaceable ceramic bricks for significant financial savings.</p>		<p>Bottom drip tray with drainage tap.</p>		<p>Gas safety ! separation of the gas and electric chambers avoids any risks of explosion.</p>
	<p>Interior halogen lighting.</p>		<p>Anti-scald K-glass reduces external thermal radiation (energy saving). Glass overlaps drip pan to keep splatters inside (anti-slip protection).</p>		<p>Support bar for support of spit in open position, during the loading and unloading of chickens from the rotisserie.</p>

ACCESSORIES

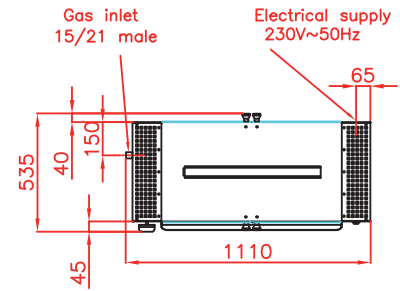
A variety of accessories are available.

<p>BCRBRASIL Spatchcock chicken basket.</p>		<p>DEC Spit mover.</p>		<p>AT Gas lighter.</p>	
--	--	-----------------------------------	--	-----------------------------------	--

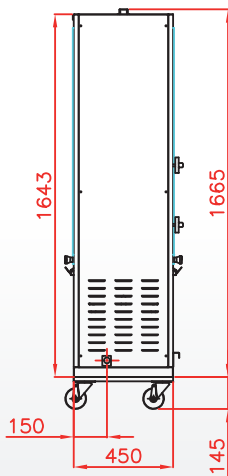
Front view
Rotisserie
and base on casters



Top view
Rotisserie
and base on casters



Side view
Rotisserie
and base on casters



Revised :
April 2019



Brasilia
All stainless steel



SPECIFICATIONS

Capacity	27 open poultries
Gas power	15 kW
Power supply	208-230V-50Hz/60Hz
Electrical power	0.23 kW
Weight and size (HxDxW)	165 kg ; 1810 x 535 x 1080 mm
Shipping weight and size	220 kg ; 1965 x 760 x 1225 mm
Guarantee	1 year parts

DISTRIBUTOR / AGENT

Rotisol S.A.S.
Zone industrielle La Trentaine, Avenue Gustave Eiffel
77507 Chelles cedex - FRANCE
s.bennell@rotisol.com - Tel : +33 1 64 21 80 00
www.rotisol.com