

Project: .....  
Rev.: .....  
Zone: .....  
Location: .....



## CONTACT GRILL L800

CODE  
CR0856079

MODEL  
6NCW/E800

SERIE  
SERIE 600

### GENERAL FEATURES

A line of compact cooking appliances, designed for people who do not want to give up on high performance, even in small spaces. Made of AISI 304 18/10 stainless steel, elegantly finished with Scotch Brite satin finish, it has rounded edges and capacious recessed areas; it is 600/650 mm deep and has a modular width of 400/600/700/800/1000 mm; the series comes complete with open base supports, with cupboards or refrigerated bases. The appliances can be easily put together to build a unit, that is compact, without any gaps thanks to a covering profile that guarantees protection against leaks and therefore excellent hygiene. High flues, ergonomic knobs mounted on a sloped control panel for better visibility, make this range easy to use from the very first time. All models are CE-approved.



### TECHNICAL DETAILS

#### CONTACT GRILL L800

The Contact grill cooker is fitted with a set of heating elements with an oval section for direct cooking made with AISI 304 designed for food use. GN 2/1 tray with humidifier function and removable fat tray for cleaning purposes. Temperature controlled with energy regulating device. The set of heating elements is installed on a tilt support and held into place in either their working or cleaning position with a locking pin. The cooking surface is cleaned by means of pyrolysis with the support of a rake specially designed to fit with the design of the heating elements.

## CONTACT GRILL L800

CODE  
CR0856079

MODEL  
6NCW/E800

SERIE  
SERIE 600

### TECHNICAL INFORMATION

SPECIFICATIONS	DATA
CODE	CR0856079
DEFINITION	CUOCIWURSTEL EL.60 M80 6NCW/E800
COMMERCIAL LINE	SERIE 600
SUPPLY	ELETTRICA
WIDTH	800 MM
DEPTH	600 MM
HEIGHT	295 MM
NET WEIGHT	77,000
VOLUME	0,142 M3
PACKAGING LENGTH	630,000
PACKAGING WIDTH	690,000
PACKAGING HEIGHT	500,000
PACKAGING VOLUME	0,217
PACKAGING GROSS WEIGHT	86,000
POWER SUPPLY VOLTAGE STANDARD	380-415V 3N
FREQUENCY	50-60 Hz
ELECTRIC POWER	8,160 KW
IPX PROTECTION	IPX3
CERTIFIED MODEL	6NCW/E800
CERTIFICATION NUMBER	-

## CONTACT GRILL L800

CODE CR0856079	MODEL 6NCW/E800	SERIE SERIE 600
-------------------	--------------------	--------------------

### ACCESSORIESES

CODE	MODEL	DESCRIPTION
CR0858029	6P4D/S	PORTINA PER BASE 400
CR0858059	6P6D/S	PORTINA PER BASE 600
CR0858039	6P7D/S	SET 2 DOORS PER BASE 700
MA10405042000	6PIC4	SHELF FOR SUPPORTS
MA10405043000	6PIC6	SHELF FOR SUPPORTS
CR0858079	6PIC7	RIPIANO PER CAVALLETTO
MA10405099000	6PIC8	SHELF FOR SUPPORTS
CR0858149	C70X-GRFVS	CHROME GRID FOR OVEN 650 SERIES
CR0858159	C70X-TFVS	STAINLESS STEEL TRAY FOR OVEN
CR0858009	6CS 4	KIT DRAWERS PER BASE 400
CR0858049	6CS 60	KIT DRAWERS PER BASE 600
MA10405014900	6CGN	COPRIGIUNTO
MA10405016900	6FC4	BACK CHIMNEY
MA10405017900	6FC6	BACK CHIMNEY
CR0858019	6FC7	BACK CHIMNEY
6FC8	6FC8	CHIMNEY
CR0858069	6FC10	BACK CHIMNEY
6TVA4	6TVA4	FRAME FOR ALIGNMENT COMPARTMENT TO THE REFRIGERATED BASE
6TVA6	6TVA6	FRAME FOR ALIGNMENT COMPARTMENT TO THE REFRIGERATED BASE
6TVA8	6TVA8	FRAME FOR ALIGNMENT COMPARTMENT TO THE REFRIGERATED BASE
8012900010	BOT/2C	BOTTLE
CR0952459	6TBR12.1	FRAME FOR ALIGNMENT COMPARTMENT TO THE REFRIGERATED BASE

## CONTACT GRILL L800

CODE  
CR0856079

MODEL  
6NCW/E800

SERIE  
SERIE 600



The electric frankfurter cooker is fitted with a set of heating elements with an oval section for direct cooking made with AISI 304 designed for food use.



The set of heating elements is installed on a tilt support and held into place in either their working or cleaning position with a locking pin.

# CONTACT GRILL L800

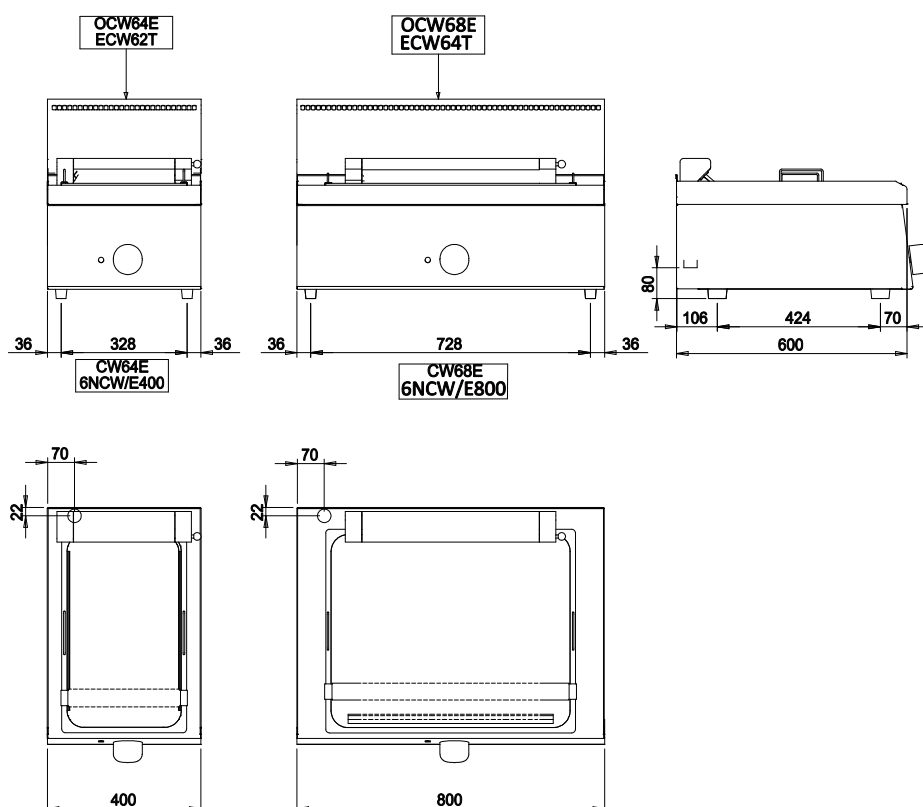
CODE  
CR0856079

MODEL  
6NCW/E800

SERIE  
SERIE 600

SCHEMA DI INSTALLAZIONE - INSTALLATION DIAGRAM - INSTALLATIONSPLAN - SCHÉMA D'INSTALLATION -  
ESQUEMA DE INSTALACION -INSTALLATIESHEMA - IINSTALLATIONSRTNINGAR

MISURE IN mm - DIMENSIONS IN mm - ABMESSUNGEN IN mm  
MESURES EN mm - MEDIDAS EN mm - MATEN IN mm



## LEGENDA - LEGENDE - KEY - LEGENDE - LEYENDA - LEGENDA

**E** Pressacavo entrata linea elettrica - Stopfbuchse - Electric cable stress relief - Presse etouper de cable el Pisacable - Elektrische kabelwartel