

Project: .....  
Rev.: .....  
Zone: .....  
Location: .....



## 1 BASIN GAS DEEP FAT FRYER 7 LT

CODE  
CR1014829

MODEL  
Q70FR/G210

SERIE  
QUEEN 7

### GENERAL FEATURES

- 15/10 worktop thickness
- Stainless steel, Scotch-Brite finish
- Sturdy and powerful with compact design
- Depth of 700 mm means it will fit the most common configurations
- Catalogue offers more than 300 standard models
- Worktop, base cabinet, base cabinet with doors and oven versions
- Twin-piece knobs prevent the infiltration of dirt and are watertight
- Gas ranges having burners with various configurations and power ratings: 3,5 kW - 5,7 kW e 7 kW
- Wide range of accessories

The front bar is a new design feature that increases the kitchen's visual importance and offers clear benefits: it is a comfortable place for the chef to lean on; it means you will remain at a safe distance from the worktop and therefore protects from accidentally knocking against both items lying on the worktop and the knobs.



### TECHNICAL DETAILS

#### GAS

#### 1 BASIN GAS DEEP FAT FRYER 7 LT

- Fully moulded top, obtained from a single large stainless steel plate.
- Large capacity shaped cooking pots, with wide vertical expansion zone to avoid depositing of foam during loading.
- Automatic temperature adjustment thermostat up to 190°C.
- Fire-proof safety thermostat (230°C).
- Oil drain valves.
- Support for baskets and lids.
- Steel tubular burners outside the tank.
- Oil drain tap.
- Pilot burner piezo ignition.

## 1 BASIN GAS DEEP FAT FRYER 7 LT

CODE  
CR1014829

MODEL  
Q70FR/G210

SERIE  
QUEEN 7

### TECHNICAL INFORMATION

SPECIFICATIONS	DATA
CODE	CR1014829
DEFINITION	Q70FR/G210 FRIGGITRICE GAS 1V. 10LT M20
MODEL	Q70FR/G210
COMMERCIAL LINE	QUEEN
SUPPLY	GAS
WIDTH	200 MM
DEPTH	700 MM
HEIGHT	870 MM
NET WEIGHT	117,000
VOLUME	0,122 M3
PACKAGING LENGTH	440,000
PACKAGING WIDTH	1020,000
PACKAGING HEIGHT	1050,000
PACKAGING VOLUME	0,960
PACKAGING GROSS WEIGHT	130,000
GAS TYPE	METANO "H, E" G20 20/25mbar
GAS POWER (G30/30 MBAR)	5,80 KW
GAS POWER (G25/25 MBAR)	5,80 KW
CERTIFIED MODEL	Q70FR/G210
CERTIFICATION NUMBER	CE-0085CT0099
POT GAS TOT / POT FRIGO2	5,80
CERTIFICATION	0049AU2804
CERTIFICATION BODY	0085
CAPACITY	10 litri
TYPE	1 VASCA
NUMBER OF MODULES	1/4 MODULO

## 1 BASIN GAS DEEP FAT FRYER 7 LT

CODE CR1014829	MODEL Q70FR/G210	SERIE QUEEN 7
-------------------	---------------------	------------------

### ACCESSORIESES

CODE	MODEL	DESCRIPTION
CR0985519	CF10M	S/S BASKET FOR 7/10 LT FRYERS
BN418031940170	CF10	S/S BASKET FOR 10 LT FRYERS
BN418031940180	CF15	S/S BASKET FOR 15 LT FRYERS
BN418031940190	CF15P	S/S BASKET FOR 15 LT FRYERS
CR0985529	GFF10M	BOTTOM GRID FOR FRYER TANK 10 LT
BN418031940140	GFF10	BOTTOM GRID FOR FRYER TANK 10 LT
BN418031940150	GFF15	BOTTOM GRID FOR FRYER TANK 15 LT
CR0997179	7BRO	7BR OIL TRAY
BN418031940220	CSFA FR6	FLUE RISER WITH DOWNDRAUGHT DIVERTER 600
BN418031940230	CSFA FR8	FLUE RISER WITH DOWNDRAUGHT DIVERTER 800
CR1018819	QP14	Coet of base L 200
CR1018829	QP13	Base door L 300
CR1018839	QP12	Base door L 400
CR1012109	QP15	Base door L 500
CR0985539	ZL70	INOX SIDE PLINTH 700 SERIE
CR0592770	ZA40	FRONT PLINTH
CR0985539	ZL70	INOX SIDE PLINTH 700 SERIE
MA97432000	NXR	SET OF WHEELS NXR
MA97433000	NXRI	SET OF WHEELS INOX NXRI
CR0990359	CH20	DIRECTABLE WATER FLUE
CR0980009	CANT	TUBULAR HANDRAIL FRONTALE (AL METRO LINEARE)
CR0980019	9CLAT	TUBULAR HANDRAIL LATERALE SERIE 900
CR0980029	18CLAT	DOUBLE SIDE TUBULAR HANDRAIL SERIE 900
CR1015229	Q70FTDX	END SIDE ELEMENT QUEEN7 - RIGHT
CR1015239	Q70FTSX	END SIDE ELEMENT QUEEN7 - RIGHT
CR1015249	Q70FT140	END SIDE ELEMENT QUEEN7 - PASSTROUGHT
BN418031900191	7PRD	PIANO LATERALE RIBALTABILE DESTRO
BN418031900440	7PFD	PIANO LATERALE FISSO DESTRO
BN418031900201	7PRS	PIANO LATERALE RIBALTABILE SINISTRO
BN418031900450	7PFS	PIANO LATERALE FISSO SINISTRO
BN418031900320	7TLD	TOP FINISHING END PIECE QUEEN7 - DX
BN418031900330	7TLS	TOP FINISHING END PIECE QUEEN7 - SX
BN418031900360	14TL	TOP FINISHING END PIECE QUEEN7 - PASS-TROUGHT
BN418031920420	FC2	Chest (False fireplace) L 20 cm
BN418031920430	FC4	Chest (False fireplace) L 40 cm
BN418031920490	FC6	Chest (False fireplace) L 60 cm
BN418031920440	FC8	Chest (False fireplace) L 80 cm
BN418031920450	FC10	Chest (False fireplace) L 100 cm
BN418031920460	FC12	Chest (False fireplace) L 120 cm
BN418031920470	FC16	Chest (False fireplace) L 160cm
BN418031920070	7RIP4	Lower shelf l 40 cm
BN418031920080	7RIP8	Lower shelf l 80 cm

## 1 BASIN GAS DEEP FAT FRYER 7 LT

CODE	MODEL	SERIE
CR1014829	Q70FR/G210	QUEEN 7

BN418031920090	7RIP12	Lower shelf l 120 cm
BN418031920100	7RIP16	Lower shelf l 160 cm
BN418031920110	PP8	Front porzerent plane P 100 mm
BN418031920300	PP12	Frontal portioning plane P 130 mm
BN418031920480	PP16	Front porzerent plane P 100 mm

## 1 BASIN GAS DEEP FAT FRYER 7 LT

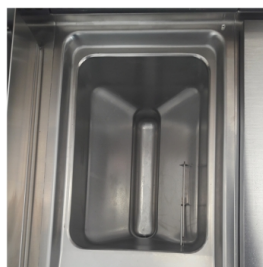
CODE  
CR1014829

MODEL  
Q70FR/G210

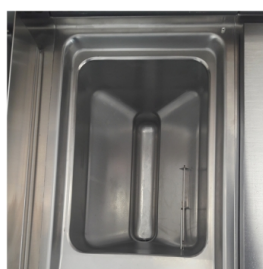
SERIE  
QUEEN 7



# PRODUCT'S RANGE PLUS



In the gas version, the pressed steel well with clean lines has external burners in order to facilitate cleaning.



The tanks have a large spillage well and a cold zone at the bottom to collect food particles and prolong oil life.



Thanks to the water jet ingress protection rating, awarded after passing specific tests, knobs and knob bezels can be washed at the end of the working day without affecting performance or safety.



The front bar is a comfortable place for the chef to lean on; it means you will remain at a safe distance from the worktop and therefore protects from accidentally knocking against both items lying on the worktop and the knobs.

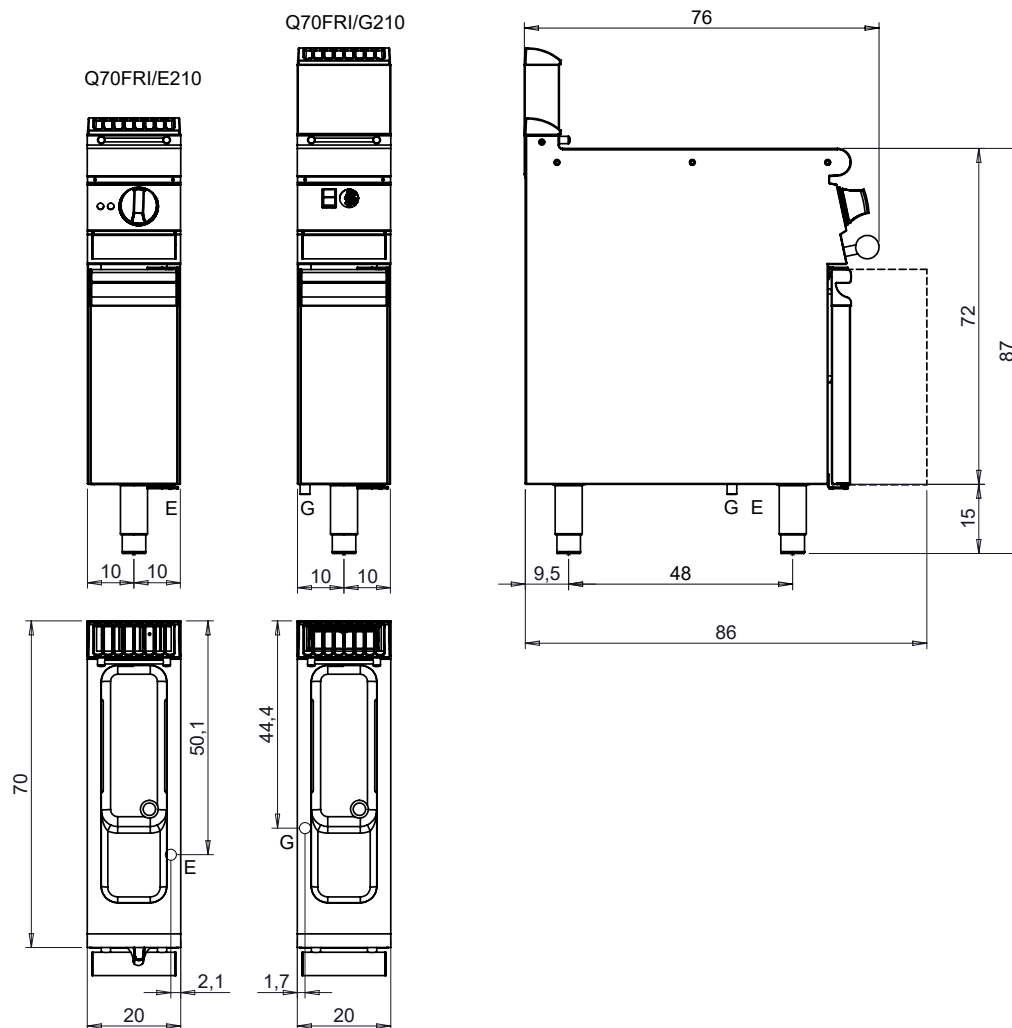
# 1 BASIN GAS DEEP FAT FRYER 7 LT

CODE  
CR1014829

MODEL  
Q70FR/G210

SERIE  
QUEEN 7

MISURE IN cm - DIMENSIONS IN cm - ABMESSUNGEN IN cm - MESURES EN cm  
MEDIDAS EN cm - MATEN IN cm - DIMENSIONES EN cm



## Legenda - Legende - Key - Légende - Leyenda - Legenda - Legenda

<p><b>E</b> Pressacavo entrata linea elettrica - Stopfbuchse - Electric cable stress relief - Presse étoupe de câble él - Pisacable - Elektrische kabelwartel - Entrada cabo eléctrico</p>	<p><b>G</b> Arrivo gas - Gasanschluss - Gas connection - Arrivée gaz - Union de gas - Gasaansluiting - Ligação gás <b>EN 10226-1 R 1/2; EN ISO 228-1 G 1/2 (DK)</b></p>
<p><b>S</b> Attacco scarico acqua - Wasserablauf - Water outlet - Vidange de l'eau - Desaguadero - Wateraftapaansluiting - Junção descarga água</p>	<p><b>H20</b> Arrivo acqua - Wasseranschluss - Water inlet - Arrivée eau - Union de agua - Wateraansluiting - Junção alimentação água</p>
<p><b>S1</b> Scarico vasca - Wannenabflussrohr - Pan outlet - Vidange du bac - Descarga cuba - Water toevoer - Descarga da cuba</p>	<p><b>A1</b> = Calda - Heiss - Warm - Chaude - Caliente - Warm - Morno <b>A2</b> = Fredda - Kalt - Cold - Froid - Fria - Koude - Frio</p>
<p><b>S2</b> Valvola di depressione - Anti-depression valve - Unterdruck ventil - Soupape de dépression - Válvula de depresión - Onderdrukklep - Válvula de depressão</p>	
<p><b>S3</b> Scarico acqua intercapedine - Wasserablauf Zwischenraum - Jacket water drain Evacuation eau double envelope - Descarga de agua intersticios - Afvoer water tussenruimte - Descarga de água na marmita com Sistema de aquecimento indirecto</p>	
<p><b>S4</b> Scarico - Abflussrohr - Drain - Tuyau d'évacuation - Tubo de drenaje - Aftapbuis - Tubulação de dreno</p>	<p><b>L</b> Rubinetto di livello - Level tap - Wasserhahn - Robinet de niveau - Grifo de nivel - Niveaakraan - Torneira de nível</p>