



DATASHEET 2016

PLYCA

Artezen Srl
Via Lago di Tovel, 14
36015 Schio (VI) - Italy
phone +39 0445 577495
info@artezen.eu
www.artezen.eu

 **ARTEZEN**
DOUGH HANDLING

PLYCA Moulder

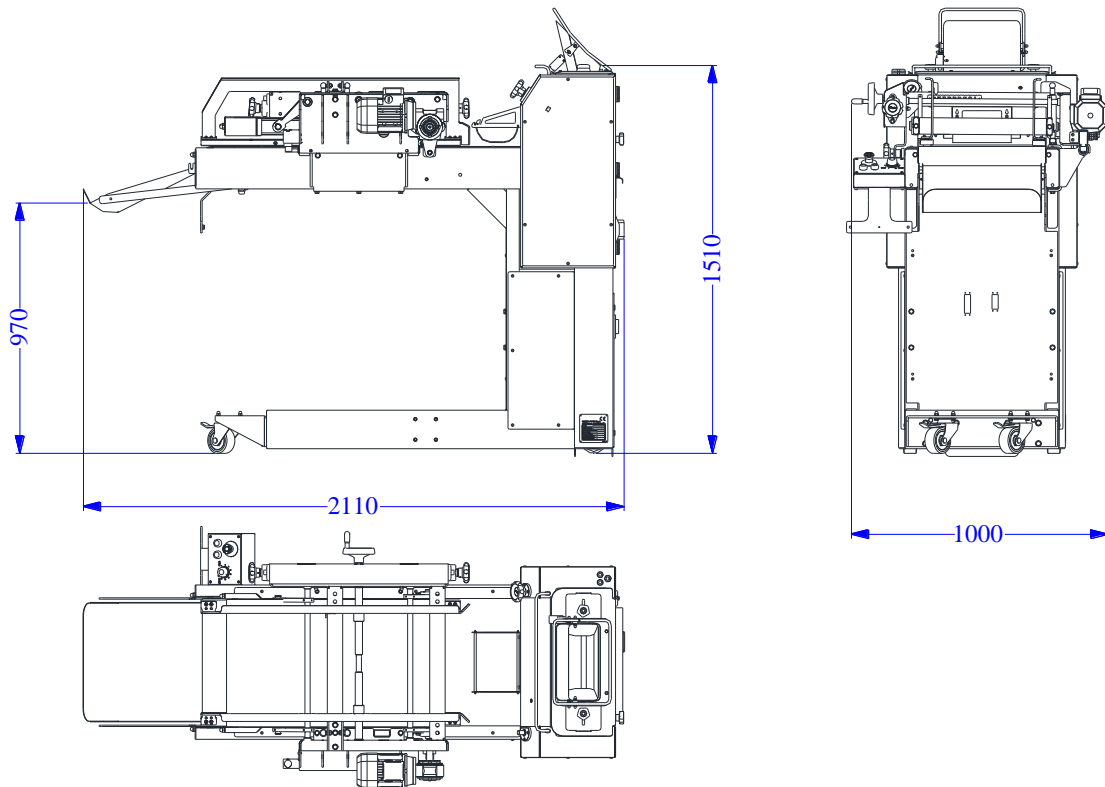


Main features

- Adjustable motorized pressure board with adjustable speed: better shape, higher uniformity of the products
- Liftable for easy cleaning
- **Large diameter rollers and generous moulding surfaces**
- Three rollers of 70-170 mm controlled by analogic indicators
- Large maximum opening of rollers: 22 mm
- Belts available in wool or FDA certified polyurethane
- Wheels for easy mobility with sufficient ground clearance
- Stainless steel infeed hopper
- Equipment security systems according to the latest safety norms
- **Very accurate adjustments of the moulding settings**
- Doors for easy access, removable hopper and upper belt for a perfect cleaning
- **Minimal floor space required thanks to the vertical setup (Plyca C)**

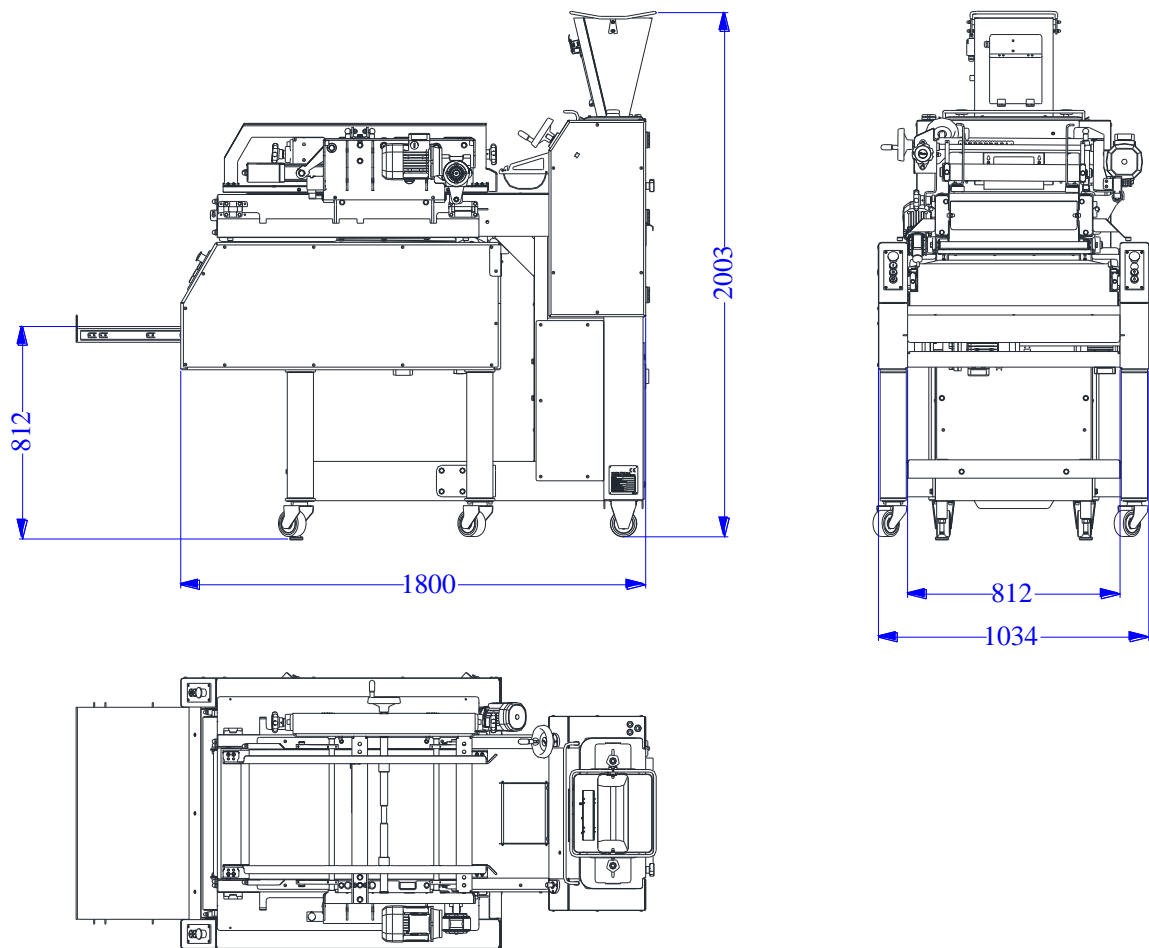
	DESCRIPTION	NOTES
	Plyca 1CS	Useful for: <ul style="list-style-type: none"> ➤ Capacity up to 2600 pcs/hr ➤ Working width 450 mm ➤ Products like loafs
	Plyca 1C	Useful for: <ul style="list-style-type: none"> ➤ Capacity up to 2600 pcs/hr ➤ Working width 400 mm ➤ Products like tin bread and Russian "baton"
	Plyca 2C	Useful for: <ul style="list-style-type: none"> ➤ Capacity up to 900 pcs/hr ➤ Working width 800 mm ➤ Products like tin bread, Russian "baton" and French baguettes
	Plyca L	Useful for: <ul style="list-style-type: none"> ➤ Industrial high-speed lines ➤ Capacity up to 3600 pcs/hr ➤ Working width 650 mm

Model	Speed capacity	Range working dough	Max moulding length	Electrical power	Weight (Weight with shipment crate)
	pc/hr Up to	gr	mm	kW (400V-50Hz)	kg
Plyca 1CS	2600	100÷2000	450	1,12	515 (620)
Plyca 1C	2600	250÷2000	400	1,12	515 (620)



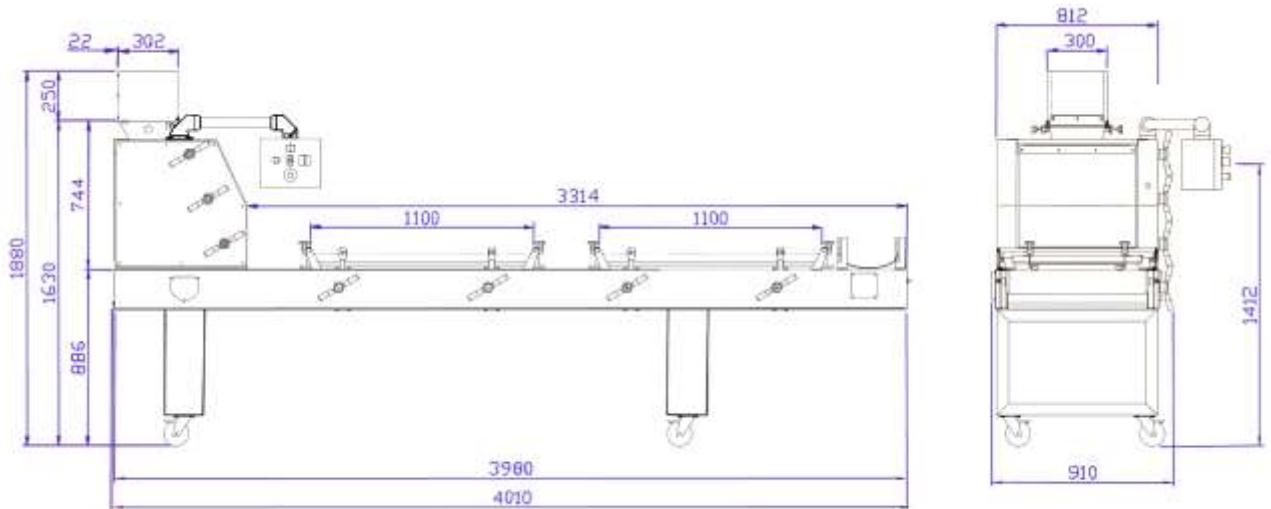
Machine	Packaged dimensions (mm)	Energy consumption (Ampere) V. 400/50-3
Plyca 1CS	1950 x 1150 h=2180	4,0
Plyca 1C	1950 x 1150 h=2180	4,0

Model	Speed capacity	Range working dough	Max moulding length	Electrical power	Weight (Weight with shipment crate)
	pc/hr Up to	gr	mm	kW (400V-50Hz)	kg
Plyca 2C	1800	250÷2000	400	2	890 (990)
	1500	250÷1000	600		
	900	250÷600	800		




Machine	Packaged dimensions (mm)	Energy consumption (Ampere) V. 400/50-3
Plyca 2C	1950 x 1150 h=2180	4,0

Model	Speed capacity	Range working dough	Max moulding length	Electrical power	Weight (Weight with shipment crate)
	pc/hr Up to	gr	mm	kW (400V-50Hz)	kg
Plyca L	3600	50÷2000	650	1,1	700 (850)



Machine	Packaged dimensions (mm)	Energy consumption (Ampere) V. 400/50-3
Plyca L	4200 x 1200 h=2180	4,0

OPTIONS PLYCA L

	<i>Stainless steel frame</i>	Useful for: ➤ High humidity work environments ➤ Cleaning of the work area with water
	<i>Lateral adjustable guides by hand wheel</i>	Useful to: ➤ Achieve moulded bread at a very constant length
	<i>Motorized pressure board</i>	Useful when: ➤ Extra moulding force is required as well as additional flexibility