

A man with a beard, wearing a white chef's cap and a white t-shirt with the 'ARTEZEN DOUGH HANDLING' logo, is smiling and holding a tray of several large, golden-brown loaves of bread. He is standing in a kitchen with dark grey cabinets and a wooden workbench.

DATASHEET 2016

CONYCA

Artezen Srl
Via Lago di Tovel, 14
36015 Schio (VI) - Italy
phone +39 0445 577495
info@artezen.eu
www.artezen.eu



 **ARTEZEN**
DOUGH HANDLING

CONYCA Conical Rounder

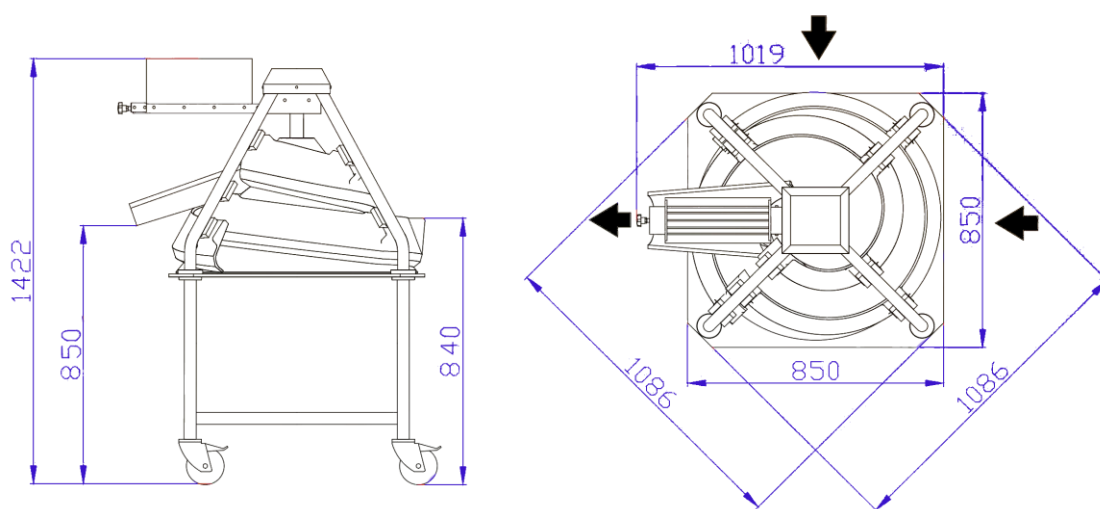


Main features

- **Stainless steel covers and plating**
- Electric adjustable flour duster in stainless steel
- Simple coupling to any production line
- Generous 4 m rounding channel
- **Channels and cone are Teflon coated** to prevent dough sticking
- Hot and cold air blowing available as option
- Construction of machine ensures durability with minimal maintenance
- On wheels with brakes for easy mobility and sufficient ground clearance
- **Soft start-up of the machine** to ensure a stable position in the production line

	DESCRIPTION	NOTES
	Coneyca 0.5	Useful for: ➤ 100÷500 gr
	Coneyca 1.2	Useful for: ➤ 200÷1200 gr
	Coneyca 1.8	Useful for: ➤ 400÷1800 gr
	Coneyca Agyla	Useful for: ➤ 30÷2000 gr ➤ Adjustable rounding channels for better shapes ➤ Production over 2600 pcs/hr ➤ Industrial use



Model	Max speed	Weight range	Channel length	Total power (400/50-3)	Weight (with the shipment crate)
	pc/hr Up to	gr	mm	kWh	kg
Conyca 0.5	2600	100÷500	4000	0,75 *(3,0)	245 (360)
Conyca 1.2		200÷1200			
Conyca 1.8		400÷1800			
Conyca Agyla	5000	30÷2000	7000	1,5 *(4,0)	750 (860)



(*) = optional hot and cold air blower

Machine	Packaged dimensions (mm)	Energy consumption (Ampere) V. 400/50-3
Conyca	1200 x 1000 h=1700	1,9
Conyca Agyla	1400 x 1700 h=2180	7,0

OPTIONS

	<p>Conyca <i>Hot and cold air blower with thermostat</i></p>	<p>Useful for: ➤ Very sticky dough</p>
	<p>Conyca Agyla “</p>	<p>“</p>
	<p>Conyca <i>Full stainless steel structure</i></p>	<p>Useful for: ➤ High humidity work environment</p>
	<p>Conyca Agyla “</p>	<p>“</p>