



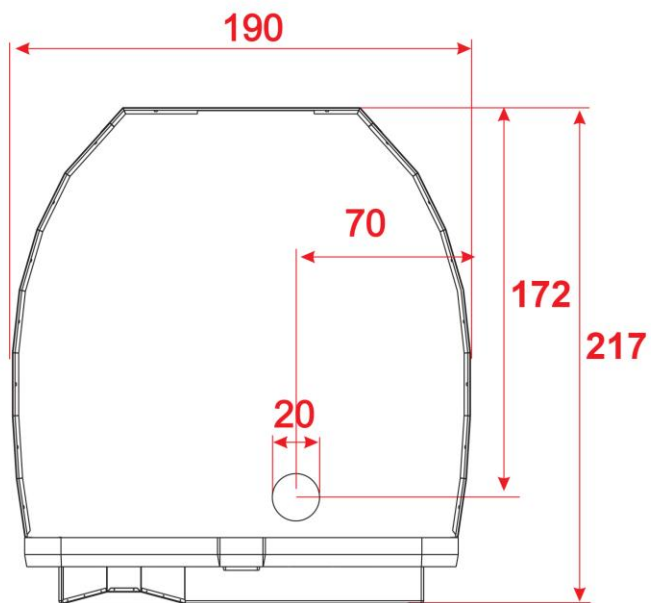
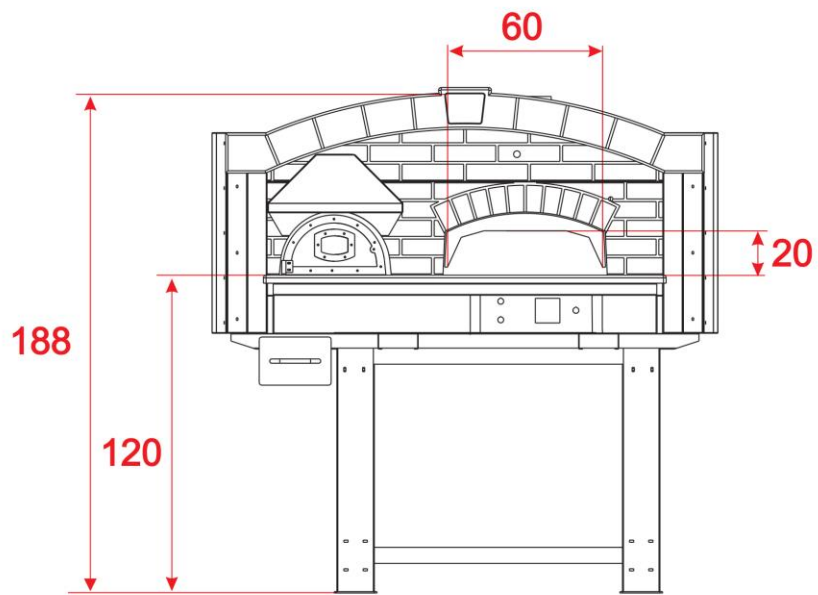
Model	MIX120V
Fuel type	WOOD-GAS BURNING OVEN
Type	Static

Specifications.

Number of pizzas 30 cm.	9
Productivity per hour.	135
Consumption of firewood per hour /kg./	5-6
Weight / kg /.	1950
Gas consumption:	
-methane gas mc / h	3.3
-GPL gas kg / h	1.9
Gas pressure:	
G30-31	37mbar
G20	20mbar
Gas nozzle	3 / 4 "
Thermal power / kw /	26
Electrical supply-230 V/50-60 Hz	

Pizza oven wood-gas burning series MIX-V.

This is a wood-gas burning oven with a double front door, wood combustion chamber, separated from the baking surface and drawer to collect ashes from burning wood. Heating up is done by ecological burner, which works with methane or propane-butane. Controlling of baking temperature of dome is by a digital controller. The power of the burner can be changed by an electronic modulator in the range of 5 to 100 per cents. Electrical supply - 230 Volt/50-60 Herz. All elements are placed in a metal case which allows the oven to be easily moved.



***Dimensions are cm.