



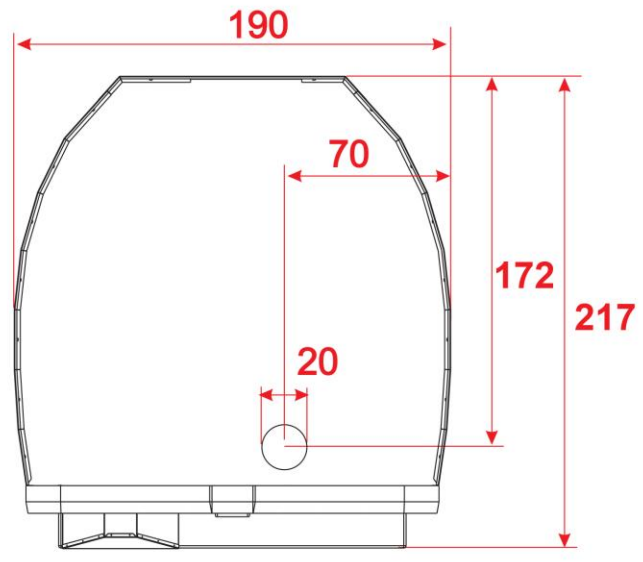
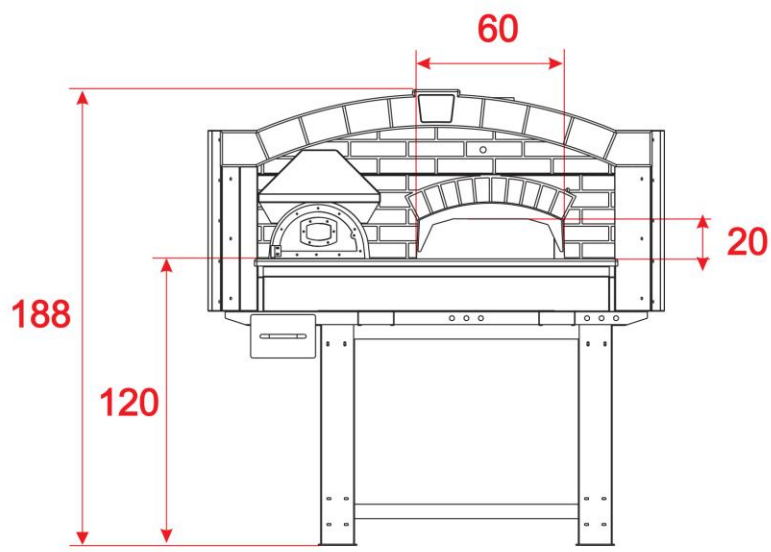
### Specifications.

Number of pizzas 30 cm.	9
Productivity per hour.	135
Consumption of firewood per hour /kg./	5-6
Weight / kg /.	1950

Model	D120V
Fuel type	WOOD-BURNING OVEN
Type	Static

### **WOOD-BURNING OVENS FOR PIZZAS (Series DV)**

This is a wood-burning oven with a double front door, wood combustion chamber, separated from the baking surface and drawer to collect ashes from burning wood. They are made of vibrated refractory material with high percent of two-aluminum-three-oxide ( $Al_2O_3$ ), which guarantees high wearing out resistance and sturdiness. The domical form of the baking chamber guarantees an even baking at low wood consumption. Insulation materials with low coefficient of heat conductivity have been used. The considerable thickness of insulation helps to achieve maximum economy. All elements of the oven are placed in a case which allows its mobility.



\*\*\*Dimensions are cm.