



Specifications.

Number of pizzas 30 cm.	4
Productivity per hour.	60
Consumption of firewood per hour /kg./	3-4
Weight / kg /.	1300

Model	D100K
Fuel type	WOOD-BURNING OVEN
Type	Static

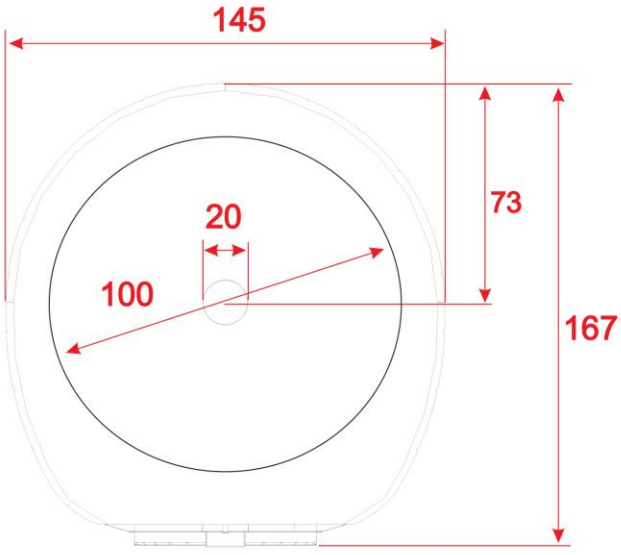
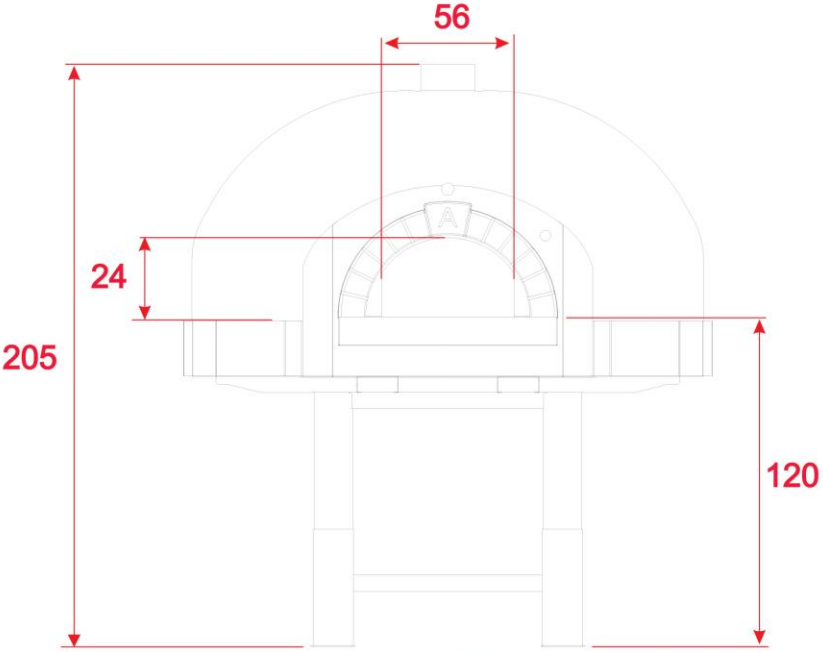
WOOD-BURNING OVENS FOR PIZZAS **(Series D)**

The ovens of series D are of domical type and are assigned for baking of pizzas.

They are made of vibrated refractory material with high percent of two-aluminum-three-oxide (Al_2O_3), which guarantees high wearing out resistance and sturdiness. The domical form of the baking chamber guarantees an even baking at low wood consumption.

Insulation materials with low coefficient of heat conductivity have been used. The considerable thickness of insulation helps to achieve maximum economy. All elements of the oven are placed in a case which allows its mobility.

Dimensions



***Dimensions are cm.