

m 50

MULTI-PURPOSE KITCHEN MACHINE

GASTRONOMY / CANTEENS / COMMERCIAL KITCHENS



At a glance:

- Basic unit and components made of stainless steel
- Automatic safety switch-off
- 2 speeds 160/320 min-1
- New development machine CI
- Protection class IP 65 – Completely closed housing
- Stirring bowl - Easy Fix System
- Coupler for add-on devices, with fast-locking gripper
- Energy-saving through on/off switch
- New OneTouch-control panel
- Optionally mounted on trolley, mounted on cabinet or as cabinet installation
- Optionally with extendable storage board (245 x 465 mm)



Cutting hopper with double safety switch off



Easy-to-use coupling system for change of attachments



Simplified operation thanks to OneTouch-control panel



1-Hand EASY FIX System for the stirring bowl

New stirring bowl

Accessories



Universal basic unit, stainless steel
130 012 200*

Imperative for cutting hopper, dual chamber and universal hopper

Cutting hopper, stainless steel,
with safety switch-off
130 019 000*



Curved blade discs, stainless steel,
adjustable, 0 - 5 mm 130 020 000*
adjustable, 0 -10 mm 130 021 000
4 mm 130 021 050
Cutting of e.g. cucumbers, pepper, onions

Tomato blade disc, stainless steel
adjustable, 0-10 mm 150 075 000
Cutting of soft vegetables and citrus fruits



Cabbage blade discs, stainless steel
1,3 mm 130 023 000
2,5 mm 130 024 000

Cutting of e.g. cabbage

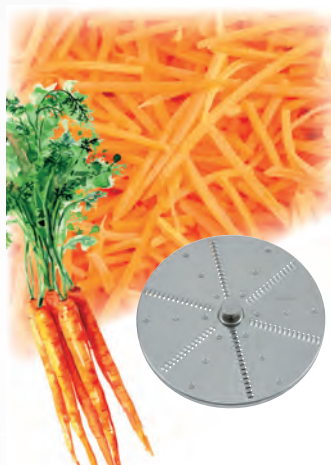


Strip cutting discs, stainless steel
2 mm Juliennes 565 000 0362
3 mm Juliennes 565 000 0363
4 mm Juliennes 565 000 0364
5 mm Juliennes 130 038 000
7 mm 130 039 000*
10 mm 130 040 100
Strip cutting of e.g. carrots, turnip,
radishes



Crinkle cut blade disc, stainless steel
adjustable, 2 - 7 mm 549 000 3703

Crinkle cut of beetroot, cucumbers, carrots



Raw vegetable disc, stainless steel,
sharpened separately
3 mm 565 100 0373
**Shredding discs, stainless steel,
sharpened separately**
6 mm 565 100 0376
9 mm 565 100 0377
Shredding of carrots, radish, celery



Grating discs, stainless steel
2 mm 565 100 0371
3 mm 565 100 0372
Grating of e.g. bread, nuts, almonds, chocolate
**Cheese grating discs, stainless steel,
sharpened separately**
3 mm 553 100 0373
6 mm 553 100 0374

NEW DESIGN



Universal hopper, stainless steel with cylinder mounting and safety switch-off.
Usable with all cylinders due to detachable waste chute.
150 061 300



Wing, stainless steel, for cylinder: 553 100 0330*
Cheese wing, stainless steel, especially for the processing of cheese for cylinder : 331 - 337, 326, 328, 338 130 076 006



Raw vegetable cylinders, stainless steel, sharpened separately
2 mm 130 070 337
3 mm 130 070 336*
4 mm 130 070 326
Shredding of e.g. raw potatoes, celery, carrots, bread



Shredding cylinders, stainless steel, sharpened separately
6 mm 130 070 334*
9 mm 130 070 335
Shredding of e.g. radishes, carrots



Grating cylinders, stainless steel
3 mm 130 070 332*
4 mm 130 070 331

Grating of e.g. hard bread, boiled potatoes, nuts, chocolate, almonds



Potato grating cylinder, stainless steel, crown toothed
2 mm 130 070 333

Grating of e. g. raw potatoes for dumplings



Potato pancake cylinder, stainless steel, combination of 333/337
130 070 328

Grating of e.g. raw potatoes



Strip cutting cylinder

1,5 mm 130 073 338

Cutting of e.g. raw potatoes, beetroot



Straining wing, stainless steel, for cylinders: 100, 200, 300, 345
130 076 005



Straining cylinders, stainless steel
1,5 mm 130 072 100
3 mm 130 072 200

Straining plate for cylinder: 100, 200, 345
553 000 0342



Pureeing cylinder, stainless steel
130 072 300

Micro-fine grating cylinder, stainless steel
2 mm 130 072 345

Accessories

NEW DESIGN



Dual-chamber hopper, stainless steel, with safety switch-off, two part design for hygienic cleaning

150 055 000



Crescent blade discs, stainless steel

3 mm	565 000 0383
4 mm	565 000 0384*
6 mm	565 000 0386

Cutting of e.g. boiled potatoes, leek, mushrooms



Dicer, stainless steel complete

8 mm	549 000 0392
11 mm	549 000 0394
16 mm	549 000 0393
22 mm	549 000 0396

Dicing of e.g. vegetables, potatoes, celery, carrots



Planetary stirring, beating and kneading unit 20 l, with safety switch-off
150 052 000*

NEW 1-Hand EASY FIX stirring bowl!

Delivery includes: planetary mixer head, stirring bowl, covering hood, beating whisk, stirring whisk 4 mm and kneader.



Beating whisk, stainless steel
1500896



Stirring whisk, stainless steel
4 mm 1500897
5 mm 1500898



Kneader, stainless steel
552 000 1275

Accessories



Meat and vegetable mincer 82 mm 82 mm, stainless steel, with coded perforated disc and safety switch-off
150 049 000*



Composed of:
mincer housing, worm, meat tray, pusher, 5-part cutting set, coded, stainless steel, L&W. Incl.: pre-cutter, 4-wing knife, coded perforated disc 8 mm, 4-wing knife, coded perforated disc 3 mm spacer ring 18 mm and spacer ring 36 mm for conversion of 3-part cutting set.



Universal housing for strip cutter, steaker and meat tenderizer
130 025 100

Composed of:
stainless steel housing and coupling M 50. Attention: To be ordered together with strip cutter set and/or tenderizer/steaker set.



Strip cutter set with safety switch-off in accordance with EU standard
130 026 100

Composed of:
lid complete incl. funnel, magnet holder and pusher. Attention: universal housing as well as the resp. inserts are not included in the delivery.



Cutting inserts, stainless steel
3,3 mm 1500727
5,0 mm 1500728
6,6 mm 1500729
9,9 mm 1500730
19,8 mm 1500731



Steaker/meat tenderizer set
130 027 100

Composed of:
feed chute and magnet holder. Attention: universal housing as well as the resp. inserts are not included in the delivery.



Steaker insert
1500732

Meat tenderizer insert
1500733

Technical Data

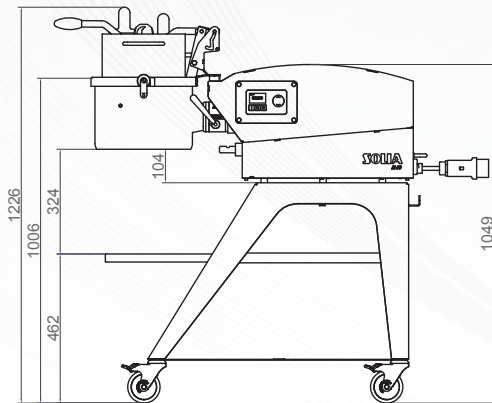
The figures shown here are for illustration only and may deviate from the actual design version. Technical alterations are reserved. For additional accessories please refer to our price list.
*Items marked with an asterisk are part of the basic equipment.



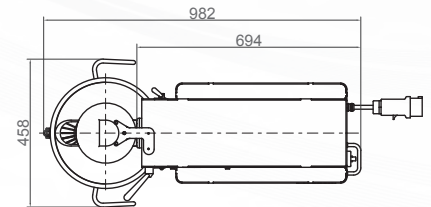
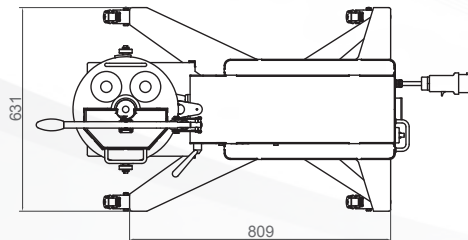
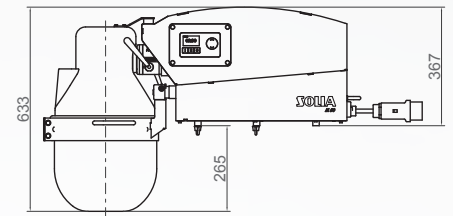
Technical Data

Output (kW)	1,4/1,8
Infinitely variable speed control (rpm)	ca. 160/320
Power supply	400 V, 50 Hz
Fuse protection (A)	16
Ingress protection	IP 65
Sound pressure level (A)	ca. 62 dB
Weight (kg)	ca. 52 kg (without attachment and trolley)
Dimensions (L x W x H) without trolley	310 x 650 x 367 mm

M 50 with trolley



M 50 without trolley



Processing Capacity

Description	Use	Throughput**
Raw vegetables cylinders	Shredding of e.g. potatoes, celery, carrots	600 - 1000 kg/h
Shredding cylinders Shredding	Shredding of e.g. radishes, carrots	1100 - 1200 kg/h
Grating cylinders	Grating of e.g. hard bread, boiled potatoes, nuts, chocolate, almonds	600 - 900 kg/h
Potato grating cylinders	Grating of raw potatoes for dumplings	500 kg/h
Potato pancake cylinder	Grating of raw potatoes	800 kg/h
Dicer	Dicer Dicing of e.g. vegetables, potatoes, celery, carrots	300 - 780 kg/h

**The throughputs are dependent on cutting thickness and product