

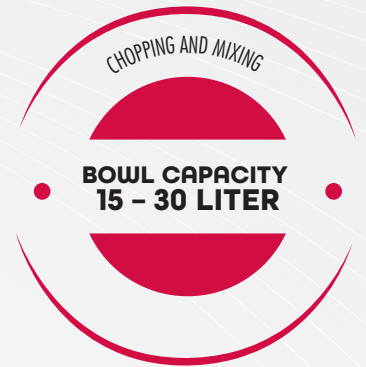
# AW CU RANGE

## KITCHEN CUTTER

GASTRONOMY / CANTEENS / COMMERCIAL KITCHENS / BUTCHERIES / FOOD INDUSTRY

### At a glance:

- Table unit with 15 l bowl;
- Floor-mounted unit with 30 l bowl
- Ideal for mixing and chopping of meat, fish, vegetables, herbs, fruit pulp
- One motor infinitely variable blade shaft speed
- Cutter bowl, bearing arm for knife driving shaft made of stainless steel
- Restart protection



Solid stainless steel bowl



Removable knife head with 3 high quality knives, optional with 6 knives



7"-Touchscreen with digital display of blade speed, temperature, time, remaining time. variable blade speed 750 – 3000 U/min. + 4 fast-select keys



Cutter hood with transparent noise protective lid

# Technical Data

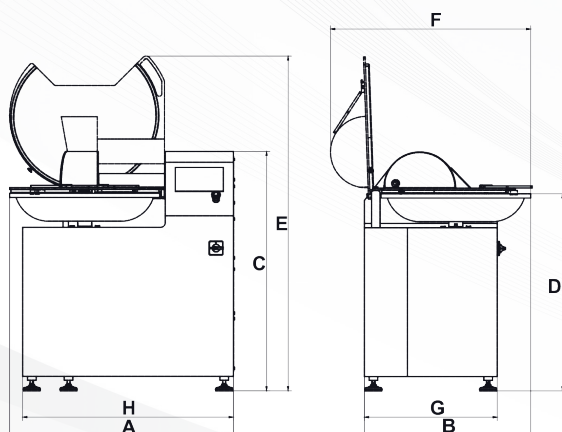
The figures shown here are for illustration only and may deviate from the actual design version. Technical alterations are reserved. For additional accessories please refer to our price list.



AW CU 30.2



AW CU 15.2



cm	CU 15	CU 30
A	87	104
B	63	77
C	56	112
D	40	92
E	92	156
F	75	93
G	52	62
H	78	98

## Technical Data

	AW CU 15.2	AW CU 30.2
Power supply	230 V, 50 Hz cable with CEE plug, 5-p	400 V, 50 Hz cable with CEE plug, 5-p
Output (kW)	2,25 at 10 - 35 m/s	5,6 at 15 - 44 m/s
Fuse protection (A)	16	16
Ingress protection	IP 54 (splash-proof)	IP 54 (splash-proof)
Dimensions (L x B x H)	870 x 630 x 560 (including bowl) H max. 920	1040 x 770 x 1.120 (including bowl) H max. 1.560
Weight (kg)	165	330
Bowl capacity (l)	15	30